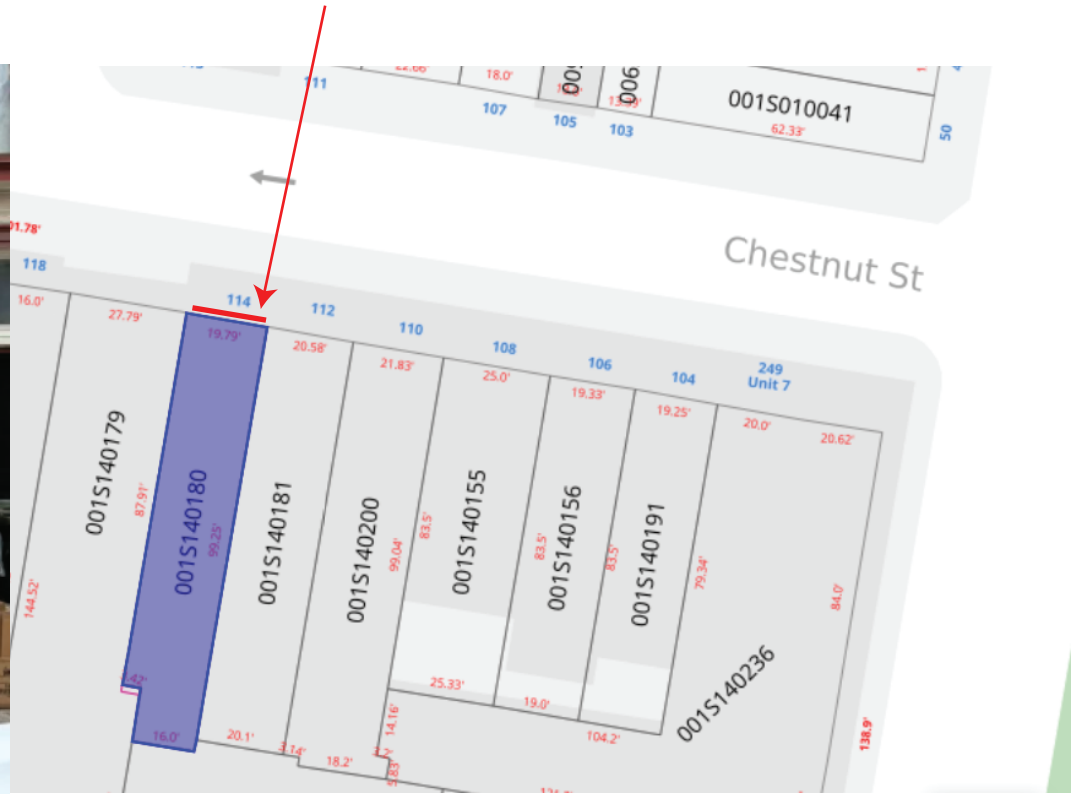
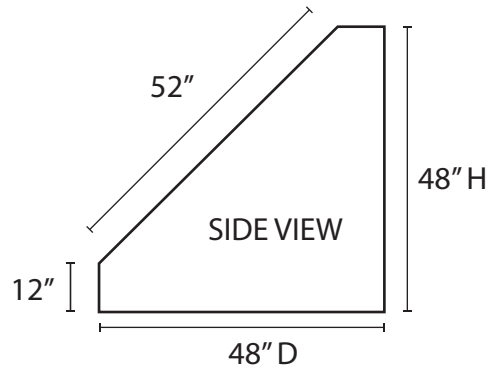


**NON-ILLUMINATED AWNING SIGN**

AWNING AREA: 48" H x 226" W = 75.33 SqFt



<b>NEW YORK SIGN CO. INC.</b> 4001 PAUL ST, PHILA PA 19124 TEL: 215-627-8872	<b>FILE:</b> IL GUSTO	<b>DATE:</b> 5/4/2026	14 CHESTNUT ST. PHILADELPHIA, PA 19106-3009	<b>PAGE:</b> 1 OF 1
	<b>ORIG.</b> REV	14 CHESTNUT ST. PHILADELPHIA, PA 19106-3009		1 OF 1