

SIGNAGE "H"



EXAMPLE OF ILLUMINATION:
scale: NOT TO SCALE



SITE PLAN:
scale: NOT TO SCALE



The future of sign technology today

112 Connecticut Drive - Burlington, NJ 08016
Phone: 609.261.2805 | Fax: 609.306.9905
www.easternsigntech.com

Client: Broad & Washington Date: 02.19.24 Sales Rep: M Robinson Project Manager: JC Designer: AR Drawing#: 2024-027

Location: Philadelphia, PA 19147 File Location: N:\JOB SPECIFIC FORMS & INFO\Job Files A-G\Broad & Washington\24-0076ph 1001 Entry Sign\ ART FILES & DRAWINGS\CURRENT APPROVED DRAWINGS

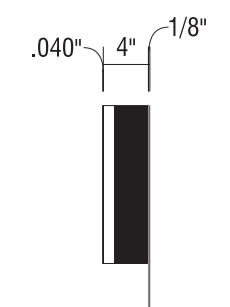
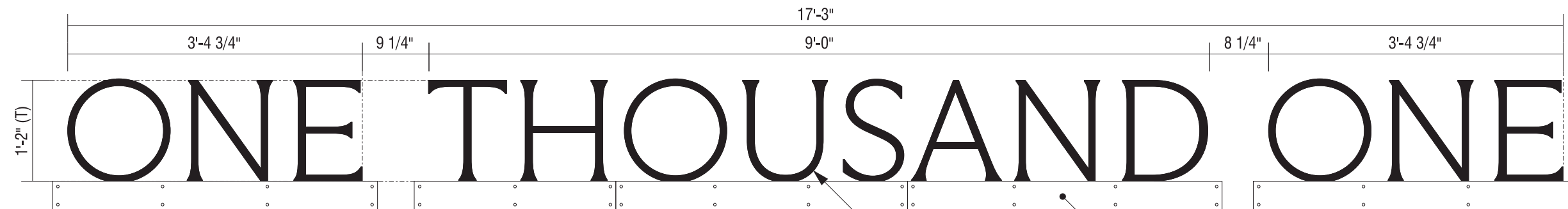
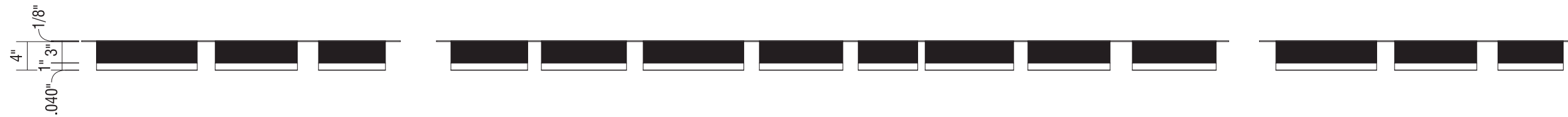
Revised: 03.26.24

Customer Approval: Ryan P. Donohue Date: 03/28/2024 Production Approval: _____ Date: _____

U. L. NOTE
SIGNS INTENDED TO BE INSTALLED IN ACCORDANCE WITH THE REQUIREMENTS OF ARTICLE 600 OF THE NATIONAL ELECTRICAL CODE AND/OR OTHER APPLICABLE LOCAL CODES. THIS INCLUDES PROPER GROUNDING AND BONDING OF THE SIGN.
U. L. 253417

SIGNAGE "H"

■ C1 | RAL 9004



Construction Details

- 1 14" Tall x 4" Deep Internally Illuminated (Edge Lit Only) Aluminum Letters
Paint Returns and Faces to Match C1.
- 2 NOTE: 0.125" BACKER PANELS MOUNT DIRECTLY TO REAR OF 4" SQ TUBE.
Paint Backs and Edges to Match C1.



The future of sign technology today

112 Connecticut Drive - Burlington, NJ 08016
Phone: 609.261.2805 | Fax: 609.306.9905
www.easternsigntech.com

Client: Broad & Washington	Date: 02.19.24	Sales Rep: M Robinson	Project Manager: JC	Designer: AR	Drawing# 2024-027
Location: 1001 South Broad St Philadelphia, PA 19147	File Location: N:\JOB SPECIFIC FORMS & INFO\Job Files A-G\Broad & Washington\24-0076ph 1001 Entry Sign\ART FILES & DRAWINGS\CURRENT APPROVED DRAWINGS	Revised: 03.26.24			

Customer Approval: *Ryan P. Donohue* Ryan P. Donohue **Date:** 03/28/2024 **Production Approval:** _____ **Date:** _____

U. L. NOTE
SIGNS INTENDED TO BE INSTALLED IN ACCORDANCE WITH THE REQUIREMENTS OF ARTICLE 600 OF THE NATIONAL ELECTRICAL CODE AND/OR OTHER APPLICABLE LOCAL CODES. THIS INCLUDES PROPER GROUNDING AND SCHEDULING OF THE SIGN.
U. L. 253417

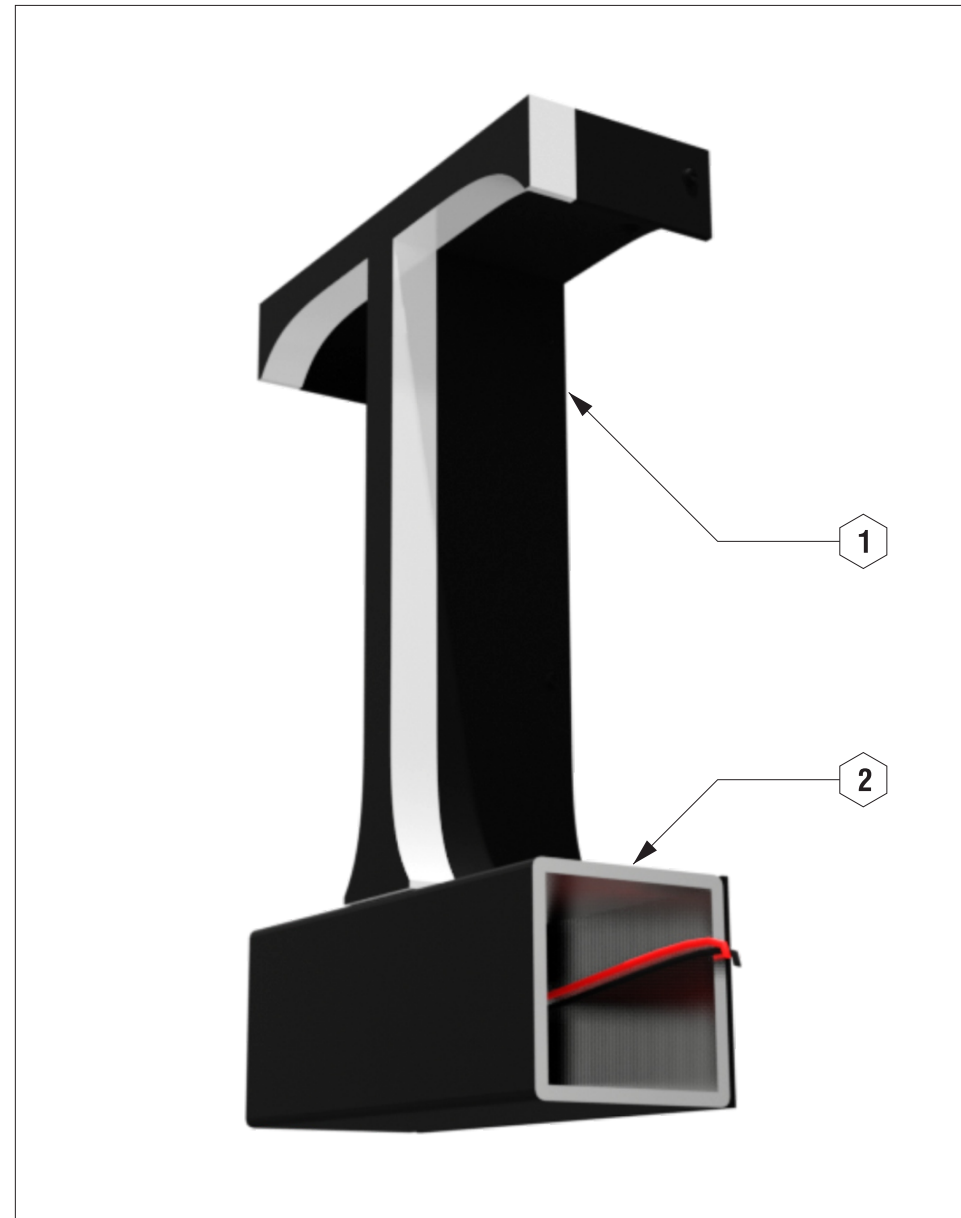
• This is an original, unpublished drawing created by Eastern Sign Tech. It is submitted for your personal use in connection with a project being planned for you with Eastern Sign Tech. This drawing is not to be shown to anyone outside your organization nor is it to be used, reproduced, copied or exhibited in any fashion without the expressed written consent of Eastern Sign Tech. •

SIGNAGE "H"

■ C1 | RAL 9004

Construction Details

- 1 14" Tall x 4" Deep Internally Illuminated (Edge Lit Only) Aluminum Letters Mounted to 4" Sq Steel Tube. Paint Returns and Faces to Match C1.
- 2 4" x 4" x 1/4" x 21'-7 1/2" A500 Steel Tube For Mounting Letters; Paint C1.



RENDER @ Daytime:
scale: Not To Scale


RENDER @ Nighttime:
scale: Not To Scale



The future of sign technology today

112 Connecticut Drive - Burlington, NJ 08016
Phone: 609.261.2805 | Fax: 609.306.9905
www.easternsigntech.com

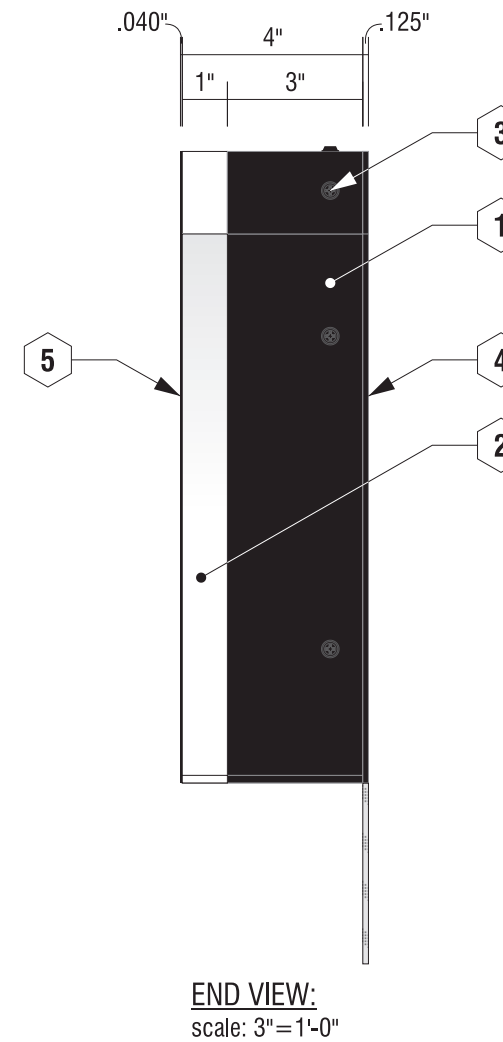
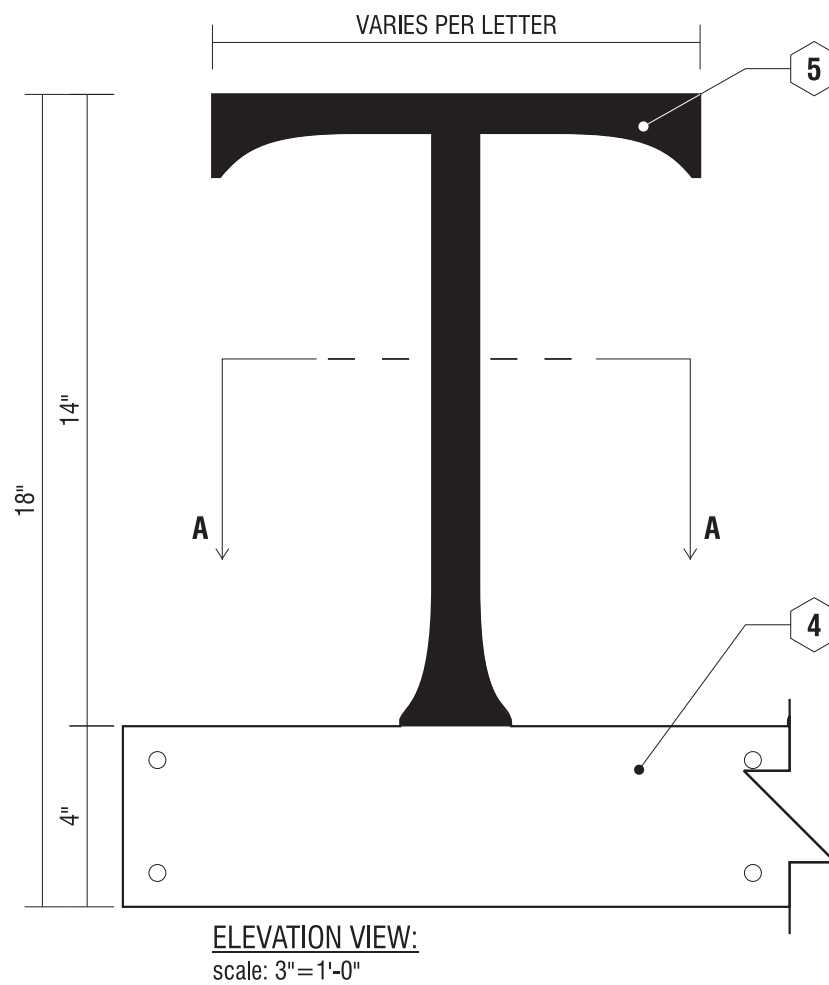
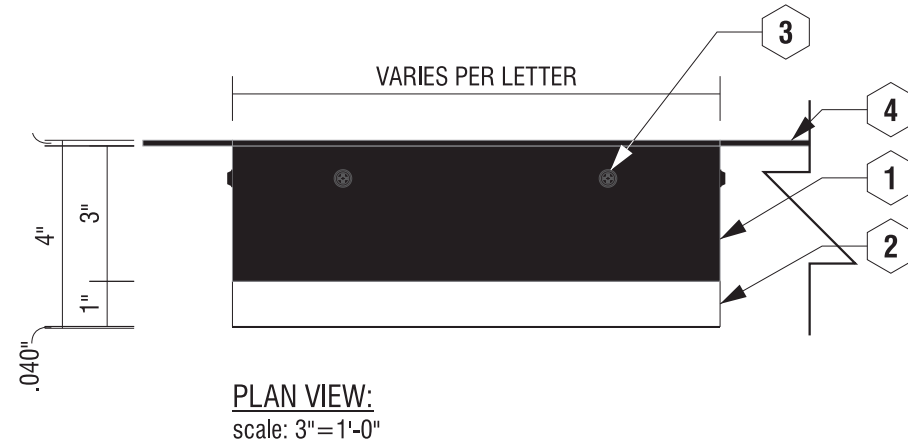
Client: Broad & Washington	Date: 02.19.24	Sales Rep: M Robinson	Project Manager: JC	Designer: AR	Drawing# 2024-027
Location: Philadelphia, PA 19147	File Location: N:\JOB SPECIFIC FORMS & INFO\Job Files A-G\Broad & Washington\24-0076ph 1001 Entry Sign\ART FILES & DRAWINGS\CURRENT APPROVED DRAWINGS		Revised: 03.26.24		

Customer Approval:  Ryan P. Donohue **Date:** 03/28/2024 **Production Approval:** _____ **Date:** _____

U. L. NOTE
SIGNS INTENDED TO BE INSTALLED IN ACCORDANCE WITH THE REQUIREMENTS OF ARTICLE 600 OF THE NATIONAL ELECTRICAL CODE AND/OR OTHER APPLICABLE LOCAL CODES. THIS INCLUDES PROPER GROUNDING AND SCHEDULING OF THE SIGN.
U. L. 253417

* This is an original, unpublished drawing created by Eastern Sign Tech. It is submitted for your personal use in connection with a project being planned for you with Eastern Sign Tech. This drawing is not to be shown to anyone outside your organization nor is it to be used, reproduced, copied or exhibited in any fashion without the expressed written consent of Eastern Sign Tech. *

SIGNAGE "H"



■ C1 | RAL 9004

Construction Details

- 1 14" Tall x 3" Deep Aluminum Return; Paint Returns to Match C1; Paint Interior White.
- 2 1 1/4" White Acrylic Face (1/4" Embed into Aluminum Return and Chemically Bonded as Permanent; Exposed 1" Edge to be Internally Illuminated).
- 3 Perimeter Fasteners at Rear of Letter; Paint all fasteners to match C1.
- 4 1/8" Backer Plate; Contour Cut to Match Letter Forms w/ 4" Drop to Mount on to 4" Square Tube (not shown); Paint Backs and Edges to Match C1.
- 5 .040" Contour Cut Letter Shapes Chemically Bonded to Faces of Letters; Paint Face and Edges to match C1.



The future of sign technology today

112 Connecticut Drive - Burlington, NJ 08016
Phone: 609.261.2805 | Fax: 609.306.9905
www.easternsigntech.com

Client: Broad & Washington Date: 02.19.24 Sales Rep: M Robinson Project Manager: JC Designer: AR Drawing#: 2024-027

Location: Philadelphia, PA 19147 File Location: N:\JOB SPECIFIC FORMS & INFO\Job Files A-G\Broad & Washington\24-0076ph 1001 Entry Sign\ART FILES & DRAWINGS\CURRENT APPROVED DRAWINGS

Revised: 03.26.24

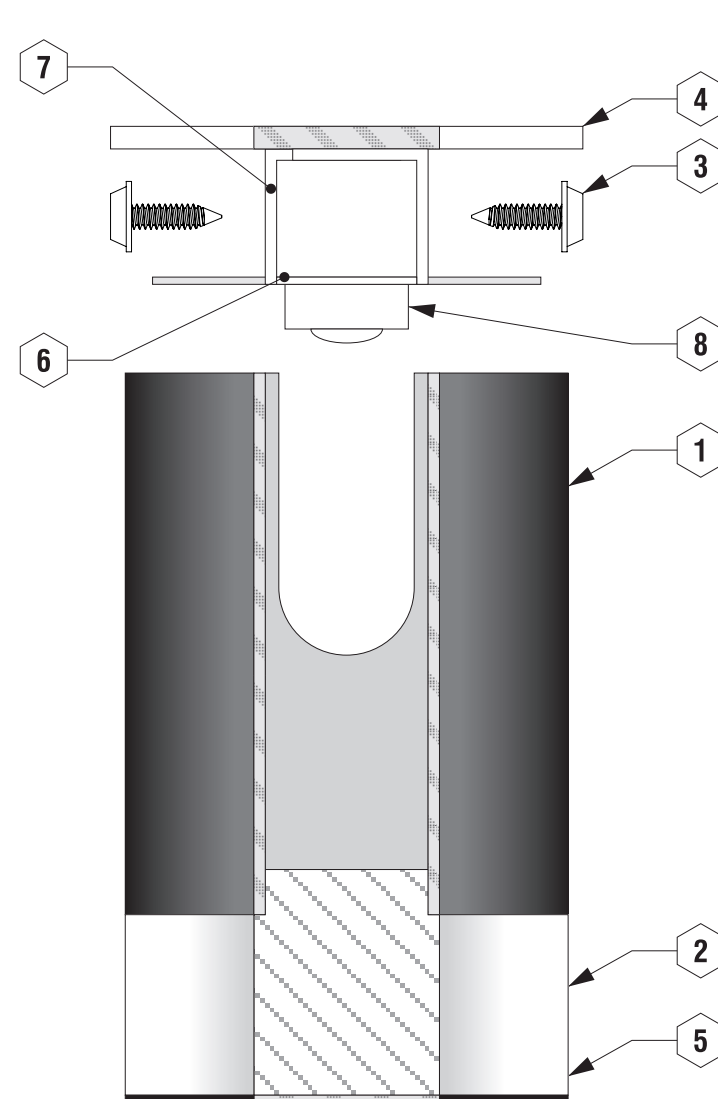
Customer Approval: *Ryan P. Donohue* Ryan P Donohue Date: 03/28/2024 Production Approval: _____ Date: _____

U. L. NOTE
SIGNS INTENDED TO BE INSTALLED IN ACCORDANCE WITH THE REQUIREMENTS OF ARTICLE 600 OF THE NATIONAL ELECTRICAL CODE AND/OR OTHER APPLICABLE LOCAL CODES. THIS INCLUDES PROPER GROUNDING AND SCHEMINGS OF THE SIGN.
U. L. 253417

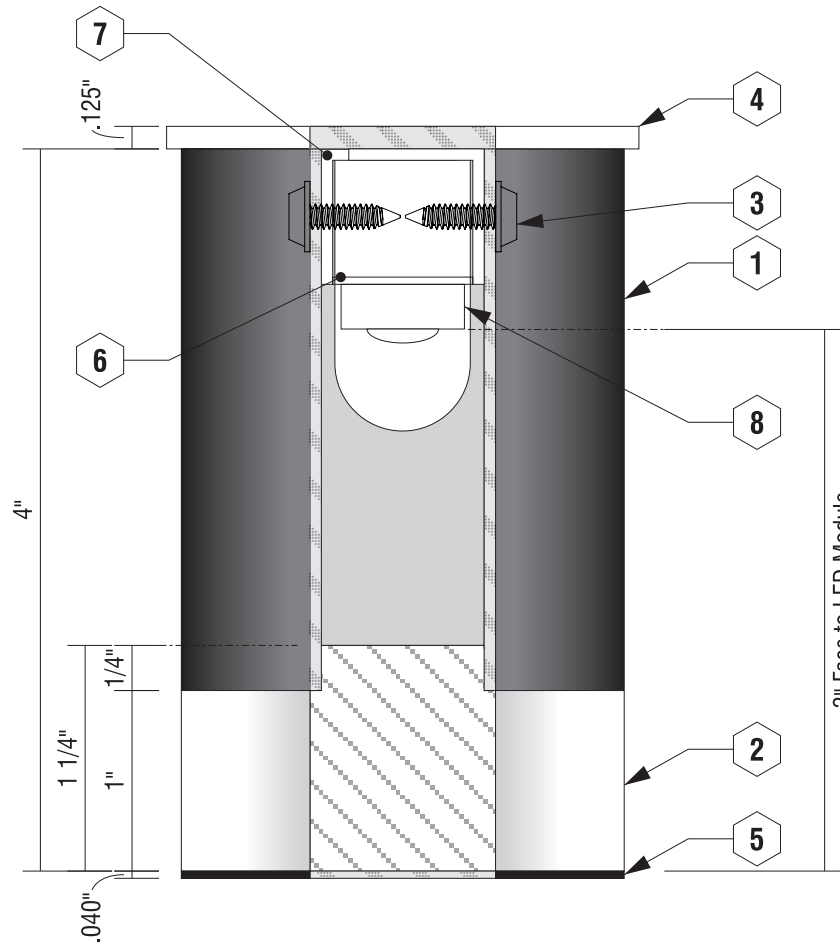
SIGNAGE "H"

■ C1 | RAL 9004

Construction Details



SECTION A-A (EXPLODED):
scale: ACTUAL SIZE



SECTION A-A (ASSEMBLED):
scale: ACTUAL SIZE

- 1 14" Tall x 3" Deep Aluminum Return; Paint Returns to Match C1; Paint Interior White.
- 2 1 1/4" White Acrylic Face (1/4" Embed into Aluminum Return and Chemically Bonded as Permanent; Exposed 1" Edge to be Internally Illuminated.
- 3 Perimeter Fasteners at Rear of Letter; Paint all fasteners to match C1.
- 4 1/8" Backer Plate; Contour Cut to Match Letter Forms w/ 4" Drop to Mount on to 4" Square Tube (not shown); Paint Backs and Edges to Match C1.
- 5 .040" Contour Cut Letter Shapes Chemically Bonded to Faces of Letters; Paint Face and Edges to match C1.
- 6 .040" Contour Cut Letter Baffles for LED Modules; Paint to Match White.
- 7 Angle Clips to Attach Letter Returns Welded or Chemically Bonded to .125" Backers; Paint to Match White.
- 8 LED Modules; White; Principal Quick Mod 2 - 3000K



The future of sign technology today

112 Connecticut Drive - Burlington, NJ 08016
Phone: 609.261.2805 | Fax: 609.306.9905
www.easternsigntech.com

Client: Broad & Washington
1001 South Broad St
Location: Philadelphia, PA 19147

Date: 02.19.24 Sales Rep: M Robinson Project Manager: JC
File Location: N:\JOB SPECIFIC FORMS & INFO\Job Files A-G\Broad & Washington\24-0076ph 1001 Entry Sign\ART FILES & DRAWINGS\CURRENT APPROVED DRAWINGS

Designer: AR Drawing#: 2024-027
Revised: 03.26.24

Customer Approval: Ryan P. Donohue

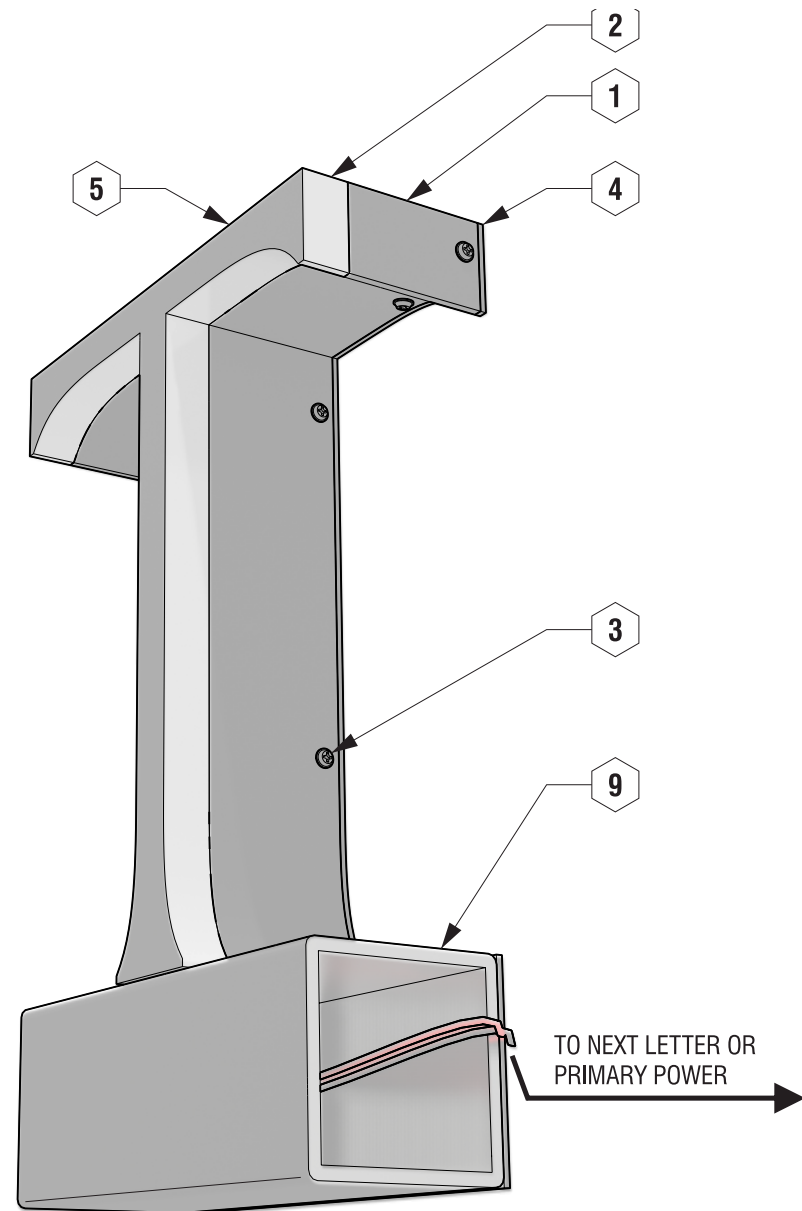
Date: 03/28/2024

Production Approval: _____ Date: _____

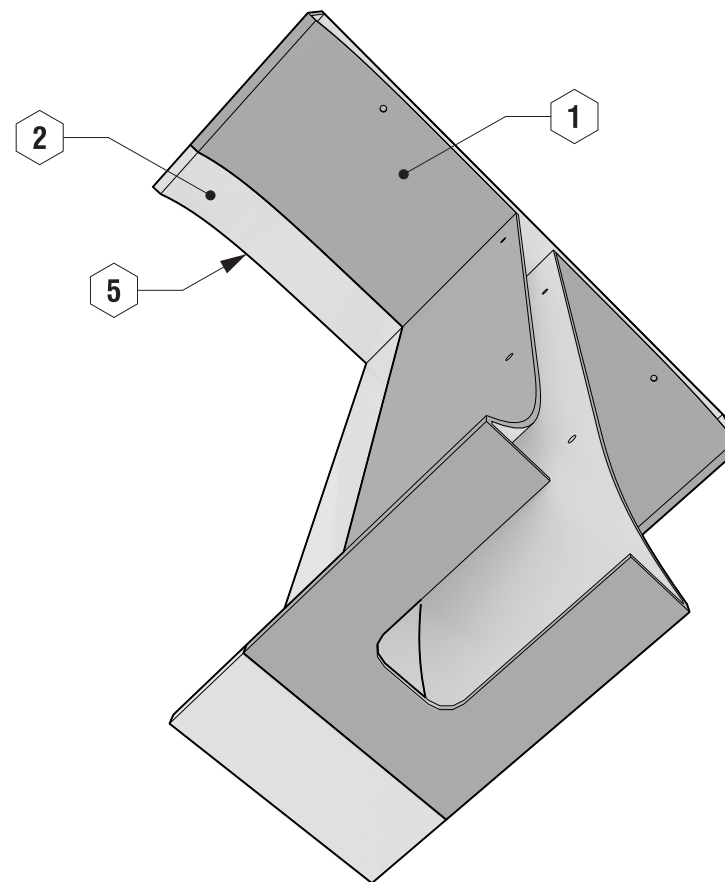
U. L. NOTE
SIGNS INTENDED TO BE INSTALLED IN ACCORDANCE WITH THE REQUIREMENTS OF ARTICLE 600 OF THE NATIONAL ELECTRICAL CODE AND/OR OTHER APPLICABLE LOCAL CODES. THIS INCLUDES PROPER GROUNDING AND SCHEMINGS OF THE SIGN.
U. L. 253417

SIGNAGE "H"

■ C1 | RAL 9004



OVERVIEW - MOUNTED LETTER FORM:
scale: NOT TO SCALE



BOTTOM VIEW - LETTER FORM ONLY:
scale: NOT TO SCALE

Construction Details

- 1 14" Tall x 3" Deep Aluminum Return; Paint Returns to Match C1; Paint Interior White.
- 2 1 1/4" White Acrylic Face (1/4" Embed into Aluminum Return and Chemically Bonded as Permanent; Exposed 1" Edge to be Internally Illuminated.
- 3 Perimeter Fasteners at Rear of Letter; Paint all fasteners to match C1.
- 4 1/8" Backer Plate; Contour Cut to Match Letter Forms w/ 4" Drop to Mount on to 4" Square Tube (not shown); Paint Backs and Edges to Match C1.
- 5 .040" Contour Cut Letter Shapes Chemically Bonded to Faces of Letters; Paint Face and Edges to match C1.
- 6 .040" Contour Cut Letter Baffles for LED Modules; Paint to Match White.
- 7 Angle Clips to Attach Letter Returns Welded or Chemically Bonded to .125" Backers; Paint to Match White.
- 8 LED Modules; White; Principal Quick Mod 2 - 3000K
- 9 4" x 4" x 1/4" x 21'-7 1/2" A500 Steel Tube For Mounting Letters; Wires Pre Run through Tube from End-to-End; Paint C1.



The future of sign technology today

112 Connecticut Drive - Burlington, NJ 08016
Phone: 609.261.2805 | Fax: 609.306.9905
www.easternsigntech.com

Client: Broad & Washington	Date: 02.19.24	Sales Rep: M Robinson	Project Manager: JC	Designer: AR	Drawing# 2024-027
Location: Philadelphia, PA 19147	File Location: N:\JOB SPECIFIC FORMS & INFO\Job Files A-G\Broad & Washington\24-0076ph 1001 Entry Sign\ART FILES & DRAWINGS\CURRENT APPROVED DRAWINGS	Revised: 03.26.24			

Customer Approval: *Ryan P. Donohue* Ryan P. Donohue Date: 03/28/2024 Production Approval: _____ Date: _____

U. L. NOTE
SIGNS INTENDED TO BE INSTALLED IN ACCORDANCE WITH THE REQUIREMENTS OF ARTICLE 600 OF THE NATIONAL ELECTRICAL CODE AND/OR OTHER APPLICABLE LOCAL CODES. THIS INCLUDES PROPER GROUNDING AND SCHEMINGS OF THE SIGN.
U. L. 253417

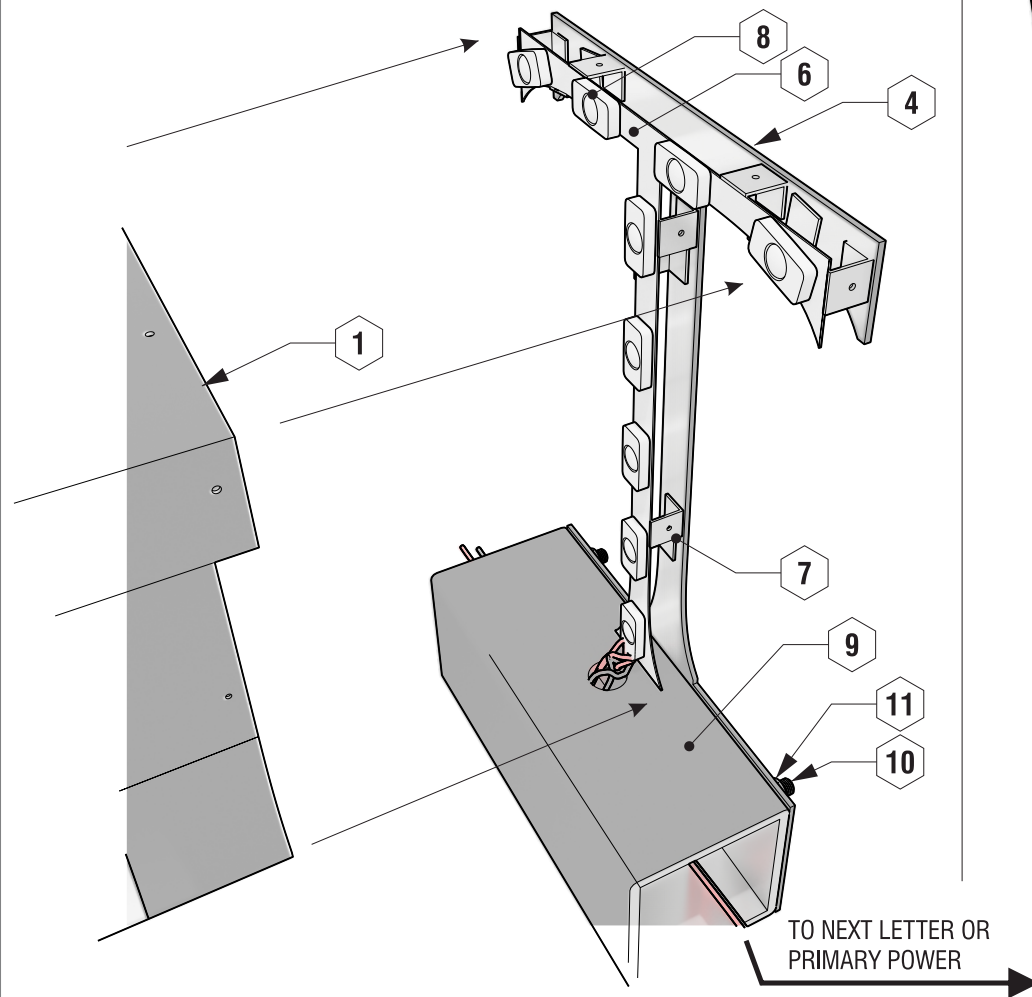
SIGNAGE "H"

■ C1 | RAL 9004

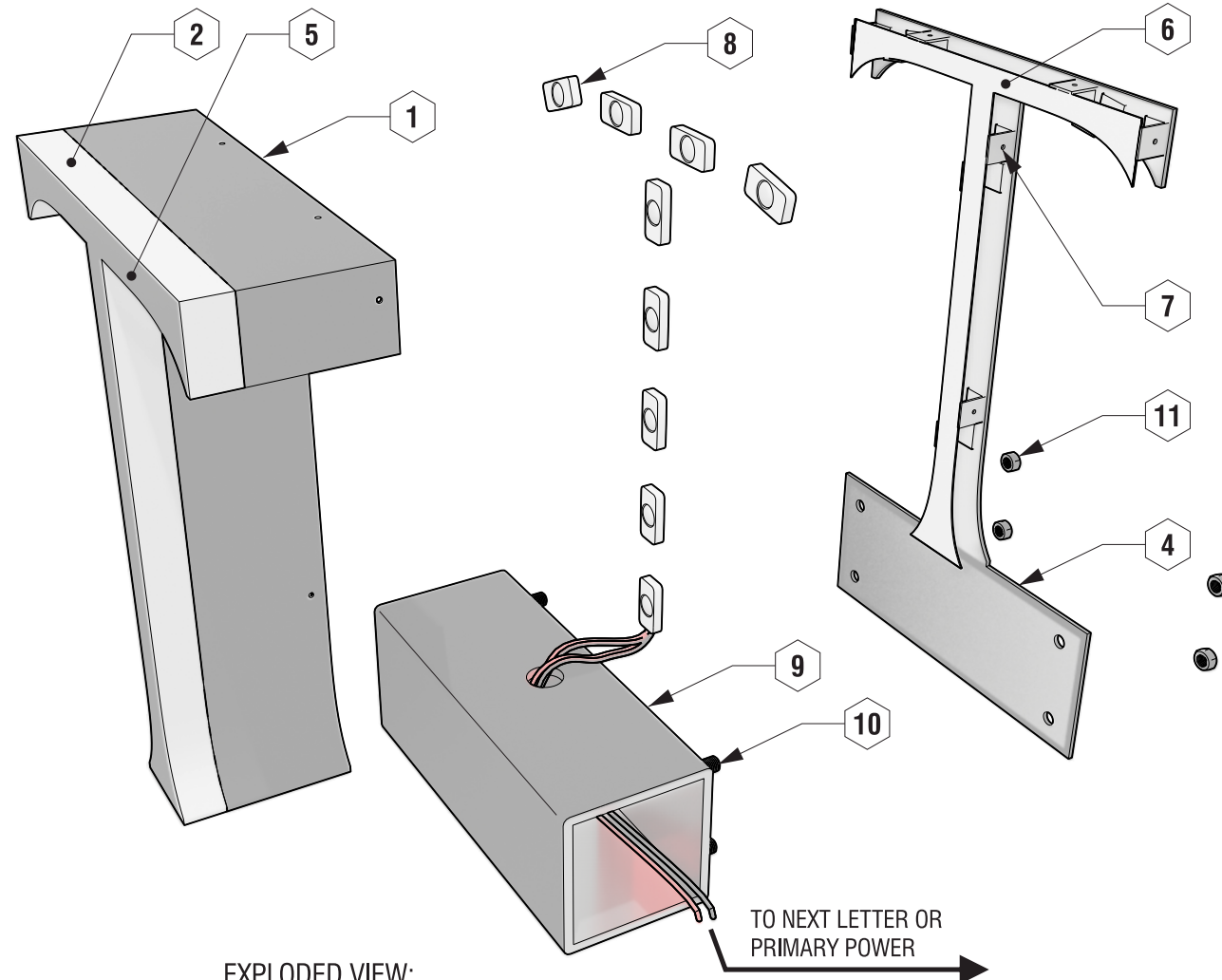
Construction Details

- 1 14" Tall x 3" Deep Aluminum Return; Paint Returns to Match C1; Paint Interior White.
- 2 1 1/4" White Acrylic Face (1/4" Embed into Aluminum Return and Chemically Bonded as Permanent; Exposed 1" Edge to be Internally Illuminated.
- 3 Perimeter Fasteners at Rear of Letter; Paint all fasteners to match C1. (NOT SHOWN)
- 4 1/8" Backer Plate; Contour Cut to Match Letter Forms w/ 4" Drop to Mount on to 4" Square Tube (not shown); Paint Backs and Edges to Match C1.
- 5 .040" Contour Cut Letter Shapes Chemically Bonded to Faces of Letters; Paint Face and Edges to match C1.
- 6 .040" Contour Cut Letter Baffles for LED Modules; Paint to Match White.
- 7 Angle Clips to Attach Letter Returns Welded or Chemically Bonded to .125" Backers; Paint to Match White.
- 8 LED Modules; White; Principal Quick Mod 2 - 3000K
- 9 4" x 4" x 1/4" x 21'-7 1/2" A500 Steel Tube For Mounting Letters; Wires Pre Run through Tube from End-to-End; Paint C1.
- 10 3/8" Stud Fully Welded to Support Tube. Black.
- 11 3/8" Nut; Black.

NOTE: LETTER HAS CUT OUT AT BOTTOM TO ALLOW FOR SLIPPING AROUND WIRING



DETAIL @ LETTER BACKER:
scale: NOT TO SCALE



EXPLODED VIEW:
scale: NOT TO SCALE



The future of sign technology today

112 Connecticut Drive - Burlington, NJ 08016
Phone: 609.261.2805 | Fax: 609.306.9905
www.easternsigntech.com

Client: Broad & Washington
1001 South Broad St
Location: Philadelphia, PA 19147

Date: 02.19.24 Sales Rep: M Robinson Project Manager: JC Designer: AR Drawing#: 2024-027

File Location: N:\JOB SPECIFIC FORMS & INFO\Job Files A-G\Broad & Washington\24-0076ph 1001 Entry Sign\ART FILES & DRAWINGS\CURRENT APPROVED DRAWINGS

Revised: 03.26.24

Customer Approval: *Ryan P. Donohue* Ryan P. Donohue Date: 03/28/2024 Production Approval: _____ Date: _____

U. L. NOTE
SIGNS INTENDED TO BE INSTALLED IN ACCORDANCE WITH THE REQUIREMENTS OF ARTICLE 600 OF THE NATIONAL ELECTRICAL CODE AND/OR OTHER APPLICABLE LOCAL CODES. THIS INCLUDES PROPER GROUNDING AND BONDING OF THE SIGN.
U. L. 253417

This is an original, unpublished drawing created by Eastern Sign Tech. It is submitted for your personal use in connection with a project being planned for you with Eastern Sign Tech. This drawing is not to be shown to anyone outside your organization nor is it to be used, reproduced, copied or exhibited in any fashion without the expressed written consent of Eastern Sign Tech.

SIGNAGE "H"

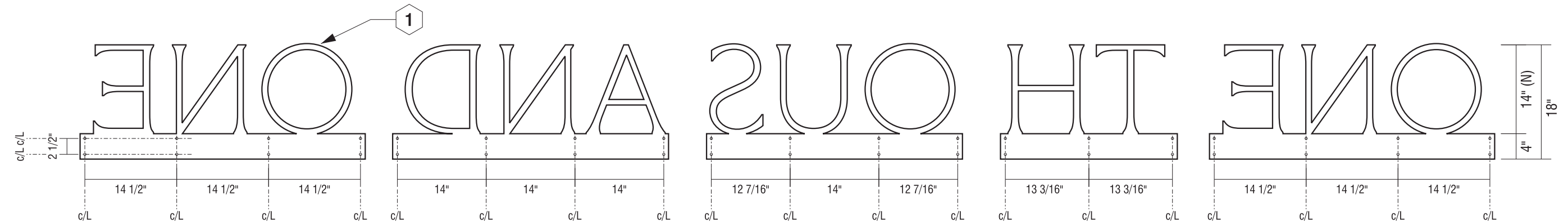
FRONT



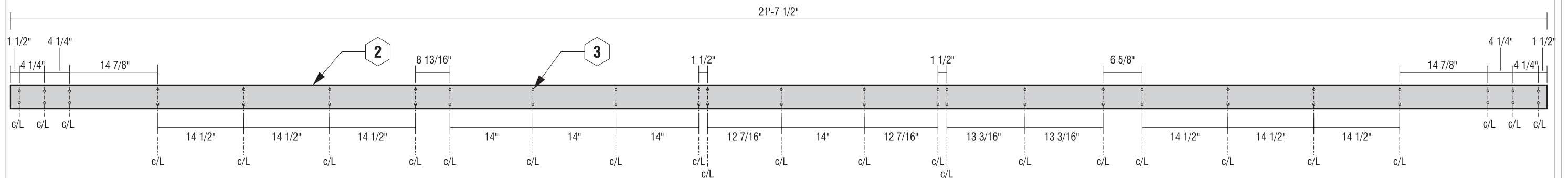
PLAN VIEW (ASSEMBLED):
scale: 3/4" = 1'-0"

Construction Details ■ C1 | RAL 9004

- 1 1/8" Backer Plate; Contour Cut to Match Letter Forms w/ 4" Drop to Mount on to 4" Square Tube (not shown); Paint Backs and Edges to Match C1.
- 2 4" x 4" x 1/4" x 21'-7 1/2" A500 Steel Tube For Mounting Letters; Wires Pre Run through Tube from End-to-End; Paint C1.
- 3 3/8" Stud Fully Welded to Support Tube. Black.
- 4 3/8" Nut; Black.



REAR VIEW @ Letter Backers:
scale: 3/4" = 1'-0"



REAR VIEW @ Support Tube:
scale: 3/4" = 1'-0"



The future of sign technology today

112 Connecticut Drive - Burlington, NJ 08016
Phone: 609.261.2805 | Fax: 609.306.9905
www.easternsigntech.com

Client: Broad & Washington	Date: 02.19.24	Sales Rep: M Robinson	Project Manager: JC	Designer: AR	Drawing# 2024-027
Location: Philadelphia, PA 19147	File Location: N:\JOB SPECIFIC FORMS & INFO\Job Files A-G\Broad & Washington\24-0076ph 1001 Entry Sign\ART FILES & DRAWINGS\CURRENT APPROVED DRAWINGS	Revised: 03.26.24			

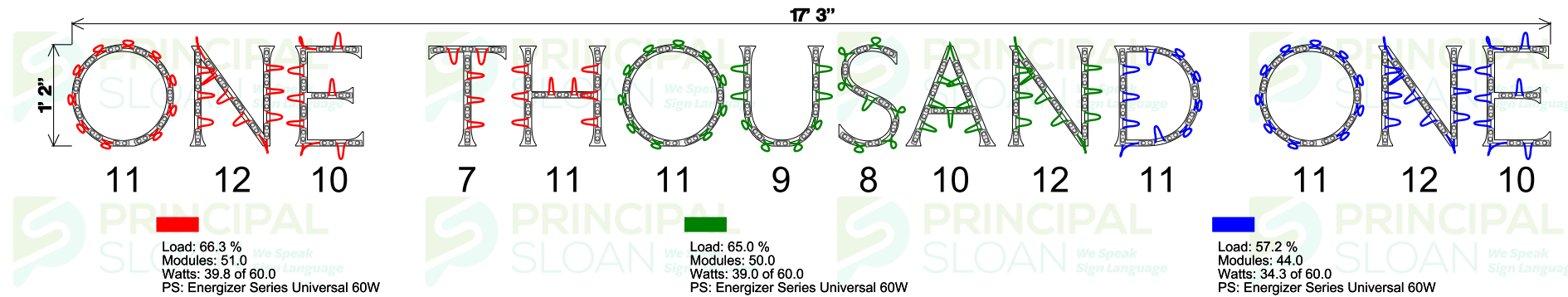
Customer Approval: *Ryan P. Donohue* Ryan P. Donohue Date: 03/28/2024 Production Approval: _____ Date: _____

U. L. NOTE
SIGNS INTENDED TO BE INSTALLED IN ACCORDANCE WITH THE REQUIREMENTS OF ARTICLE 600 OF THE NATIONAL ELECTRICAL CODE AND/OR OTHER APPLICABLE LOCAL CODES. THIS INCLUDES PROPER GROUNDING AND BONDING OF THE SIGN.
U. L. 253417

This is an original, unpublished drawing created by Eastern Sign Tech. It is submitted for your personal use in connection with a project being planned for you with Eastern Sign Tech. This drawing is not to be shown to anyone outside your organization nor is it to be used, reproduced, copied or exhibited in any fashion without the expressed written consent of Eastern Sign Tech.

SIGNAGE "H"

MAX MODS PER SERIES Qwik Mod 2 7100K 38	MAX MODS PER POWER SUPPLY Qwik Mod 2 7100K 76 MODS PER 60W PS	 <p>3490 Venture Dr. San Angelo, TX 76905 1-325-227-4577 www.principalsloan.com layouts@pindustries.com</p>	THESE DRAWINGS AND SPECIFICATIONS ARE THE CONFIDENTIAL PROPERTY OF PRINCIPAL INDUSTRIES. ANY REPRODUCTION OR USE WITHOUT PRIOR WRITTEN CONSENT IS PROHIBITED.			
			One Thousand- One- 198916			REV. 1
		DATE: 19 Mar 2024	DRAWN BY : RJ Service	AMP DRAW: 3.30 A	FACE MATERIAL: Acrylic	
		SIGN HEIGHT: 14 in	SIGN DEPTH: 3 in	MODULES PER FOOT: 3.76	LIGHTING: Edge Lit	



ESTIMATED PRODUCT PER SIGN

(145) Qwik Mod 2 - 3000K Modules: (UL#: PL-QM2-DW150-P, SKU#: M-QMDX0-30)	(3) Energizer Series Universal 60W Driver(s): (UL#: P-OH060-12-EC, SKU#: P-OH060-12-EC)
------------------------------------------------------------------------------	--------------------------------------------------------------------------------------------

Channel Letter Lighting?
WE'VE GOT THAT!

- Available in Micro, Mini, Spec, HO & Deep
- All sizes available in 3000 K, 4100 K, 5000 K, 6500 K, 7100 K
- Mini & Spec available in Red, Green & Blue

Prism Synergy
LIFE SIGN 24 VDC
PRINCIPAL SLOAN


CAUTION: THIS LAYOUT IS ONLY AN ESTIMATE.
Channel letter depth, face color, material, and thickness can vary which may effect the number of modules required. To ensure accuracy, it is recommended that you test light in a darkened environment prior to installing or shipping to the site to ensure the light output is commercially acceptable. Final material estimates are the responsibility of the sign manufacturer. Unless noted in header, Layout is based on the use of acrylic face material.



The future of sign technology today

112 Connecticut Drive - Burlington, NJ 08016
Phone: 609.261.2805 | Fax: 609.306.9905
www.easternsigntech.com

Client: Broad & Washington	Date: 02.19.24	Sales Rep: M Robinson	Project Manager: JC	Designer: AR	Drawing# 2024-027
Location: Philadelphia, PA 19147	File Location: N:\JOB SPECIFIC FORMS & INFO\Job Files A-G\Broad & Washington\24-0076ph 1001 Entry Sign\ART FILES & DRAWINGS\CURRENT APPROVED DRAWINGS		Revised: 03.26.24		

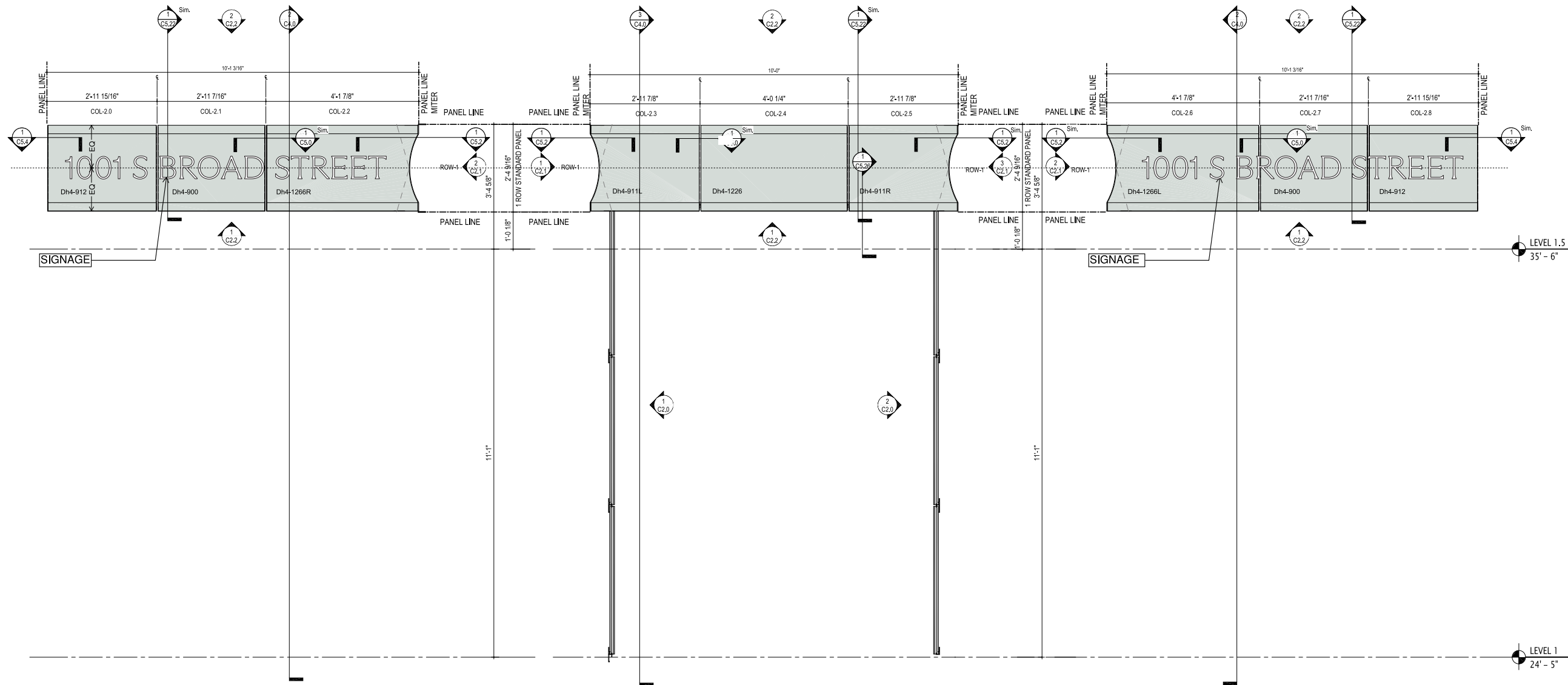
Customer Approval:  Ryan P. Donohue **Date:** 03/28/2024 **Production Approval:** _____ **Date:** _____

U. L. NOTE
SIGNS INTENDED TO BE INSTALLED IN ACCORDANCE WITH THE REQUIREMENTS OF ARTICLE 600 OF THE NATIONAL ELECTRICAL CODE AND/OR OTHER APPLICABLE LOCAL CODES. THIS INCLUDES PROPER GROUNDING AND BONDING OF THE SIGN.
U. L. 253417

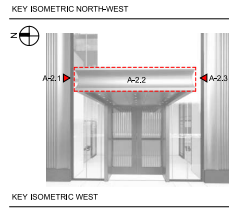
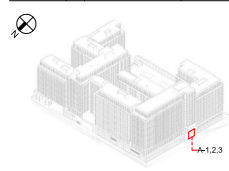
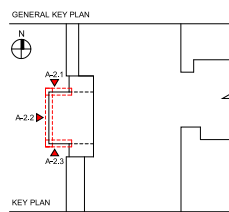
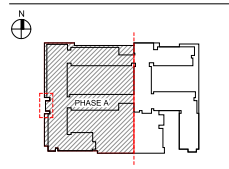
This is an original, unpublished drawing created by Eastern Sign Tech. It is submitted for your personal use in connection with a project being planned for you with Eastern Sign Tech. This drawing is not to be shown to anyone outside your organization nor is it to be used, reproduced, copied or exhibited in any fashion without the expressed written consent of Eastern Sign Tech.

SIGNAGE "F" & "G"

AREA 2	
PANEL	QUANTITY
Dh4	
Dh4-900	2
Dh4-912	2
Dh4-1226	1
Dh4-911L	1
Dh4-1266L	1
Dh4-911R	1
Dh4-1266R	1
Total	9



PROJECT:
 Broad & Washington
 Moeding Project #:
 220639 Main Entry
 Canopy



SHEET TITLE:
 PANEL LAYOUT - DETAILED
 ELEVATION AREA 2

SCALE: AS NOTED

© 2019 SHLDAN, INC.
 THIS DRAWING AND DESIGN ARE CONFIDENTIAL AND IT OR COPIES THEREOF, SHALL BE RETURNED UPON REQUEST. IT IS NOT TO BE REPRODUCED OR EXHIBITED TO OUTSIDE PARTIES BUT IS TO BE USED ONLY WITH REFERENCE TO CONTRACTS OR PROPOSALS OF SHLDAN, INC. NOTHING DISCLOSED HEREIN MAY BE USED WITHOUT WRITTEN PERMISSION OF SHLDAN, INC.

Date	Revision
1 AUG/04/2023	ISSUE #1

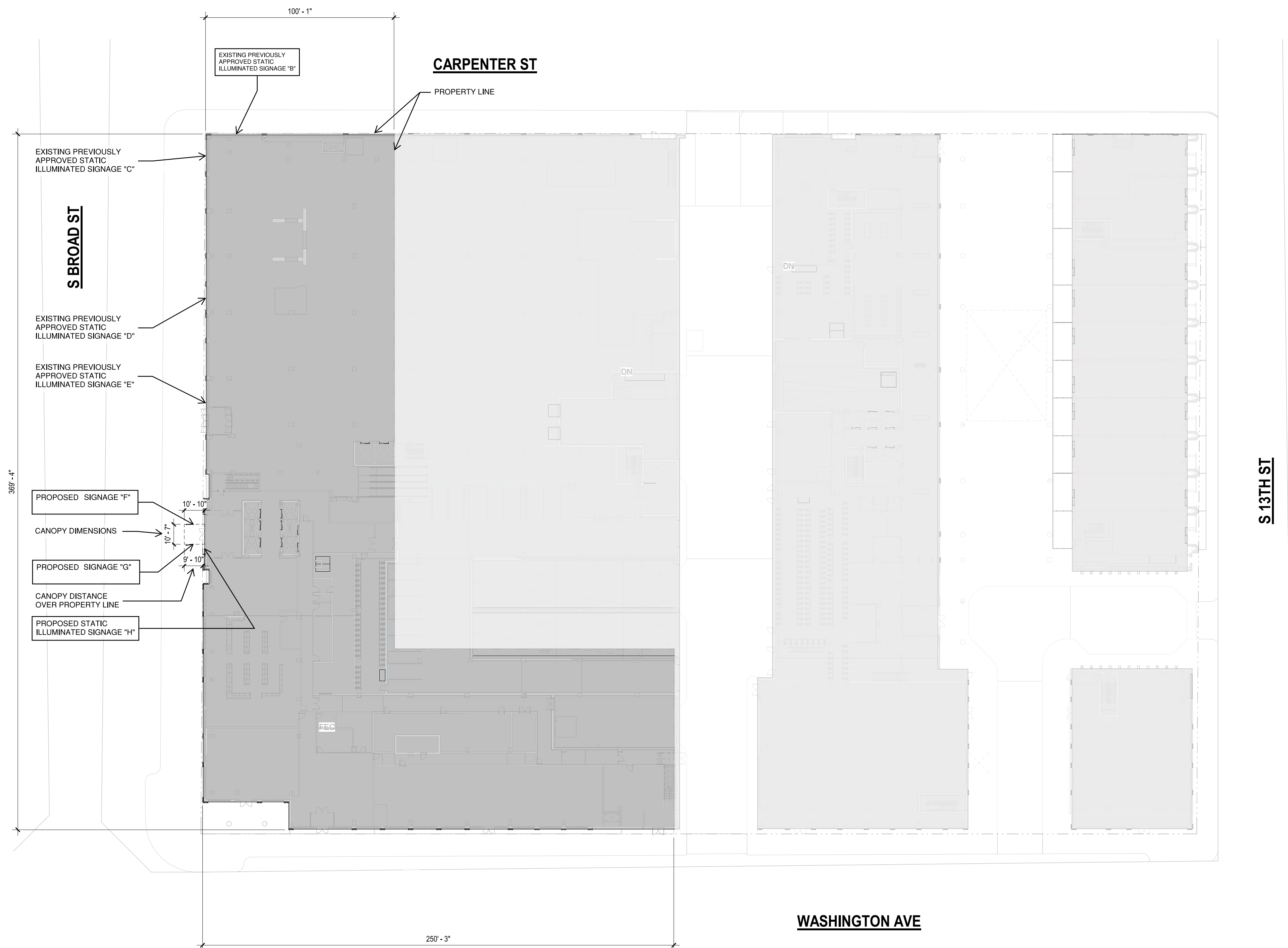
SHEET #:
 C2.1

1 PANEL LAYOUT - AREA 2.1 ELEVATION (NORTH)
 3/4" = 1'-0"

2 PANEL LAYOUT - AREA 2.2 ELEVATION (WEST)
 3/4" = 1'-0"


3 PANEL LAYOUT - AREA 2.3 ELEVATION (SOUTH)
 3/4" = 1'-0"

ALL DIMENSIONS MUST BE SHOWN IN FIELD. -- FOR ADDITIONAL INFORMATION AND INSTALLATION INSTRUCTIONS REFERENCE SHLDAN INSTALLATION TRAINING AND QUALITY CONTROL MANUAL.

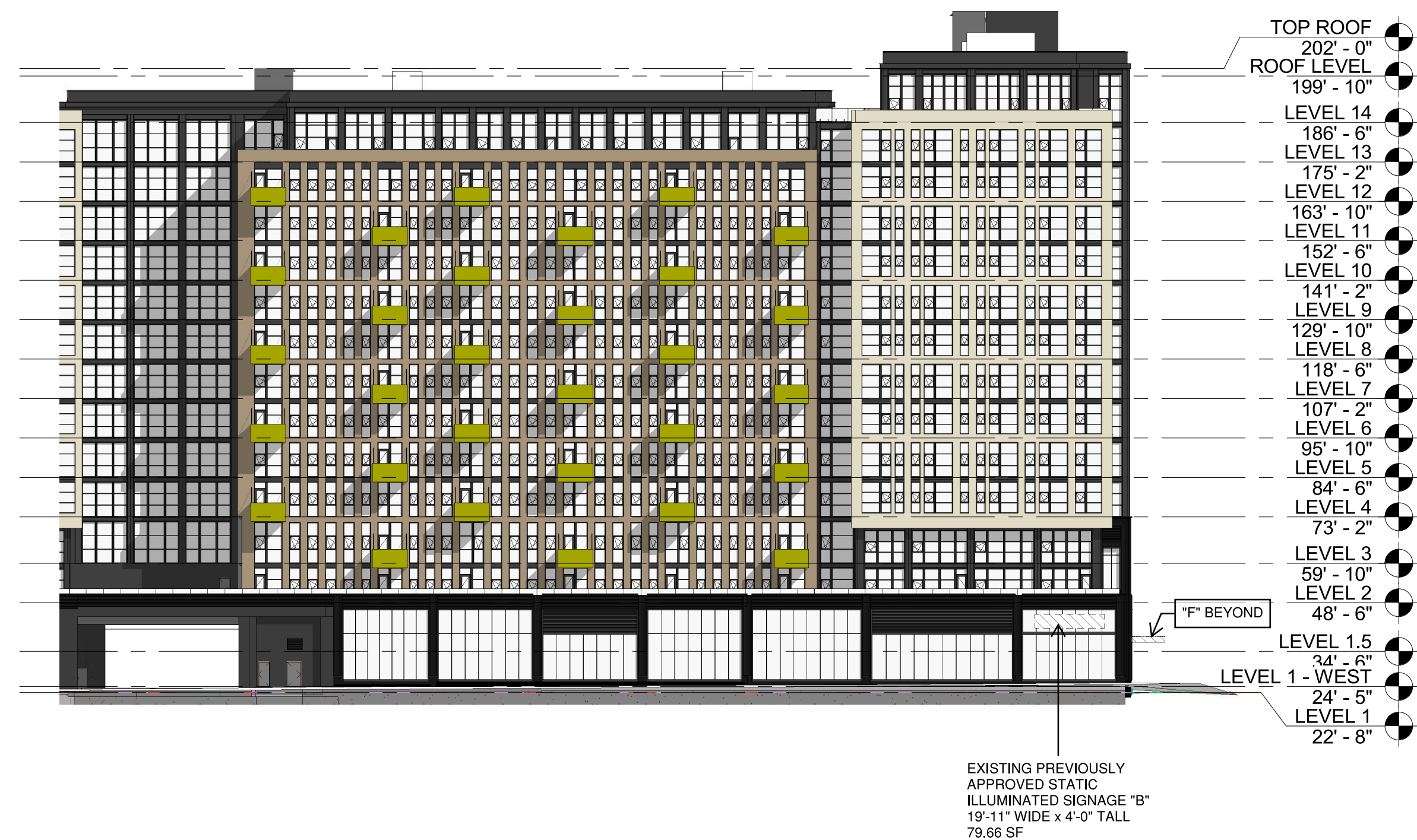


SIGNAGE MATRIX							
ELEVATION	FRONTAGE	ALLOWABLE AREA	SIGN	DIMENSIONS	AREA PER SIGN (SF)	TOTAL SIGN AREA (SF)	NOTE
NORTH	100'	2 SF PER LINEAR FT OF FRONTAGE = 100'x2 = 200 SF	B	19'-11"x4'-0"	79.66	79.66	PREV APPROVED PER RZP-2024-001908
WEST BROAD STREET	369'	2 SF PER LINEAR FT OF FRONTAGE = 369'x2 = 738 SF	C	15'-8 7/8"x1'-6"	22.6	267.98	PREV APPROVED PER RZP-2024-001908
			D	11'-3 3/8"x1'-2"	13.16		PREV APPROVED PER RZP-2024-001908
			E	19'-11"x4'-0"	79.66		PREV APPROVED PER RZP-2024-001908
			F	9'-6"x1'-7"	15		PROPOSED
			G	9'-6"x1'-7"	15		PROPOSED
			H	19'-6 5/8"x1'-2"	22.81		PROPOSED
J	8'-3 3/4"x12'-0"	99.75				PROPOSED	

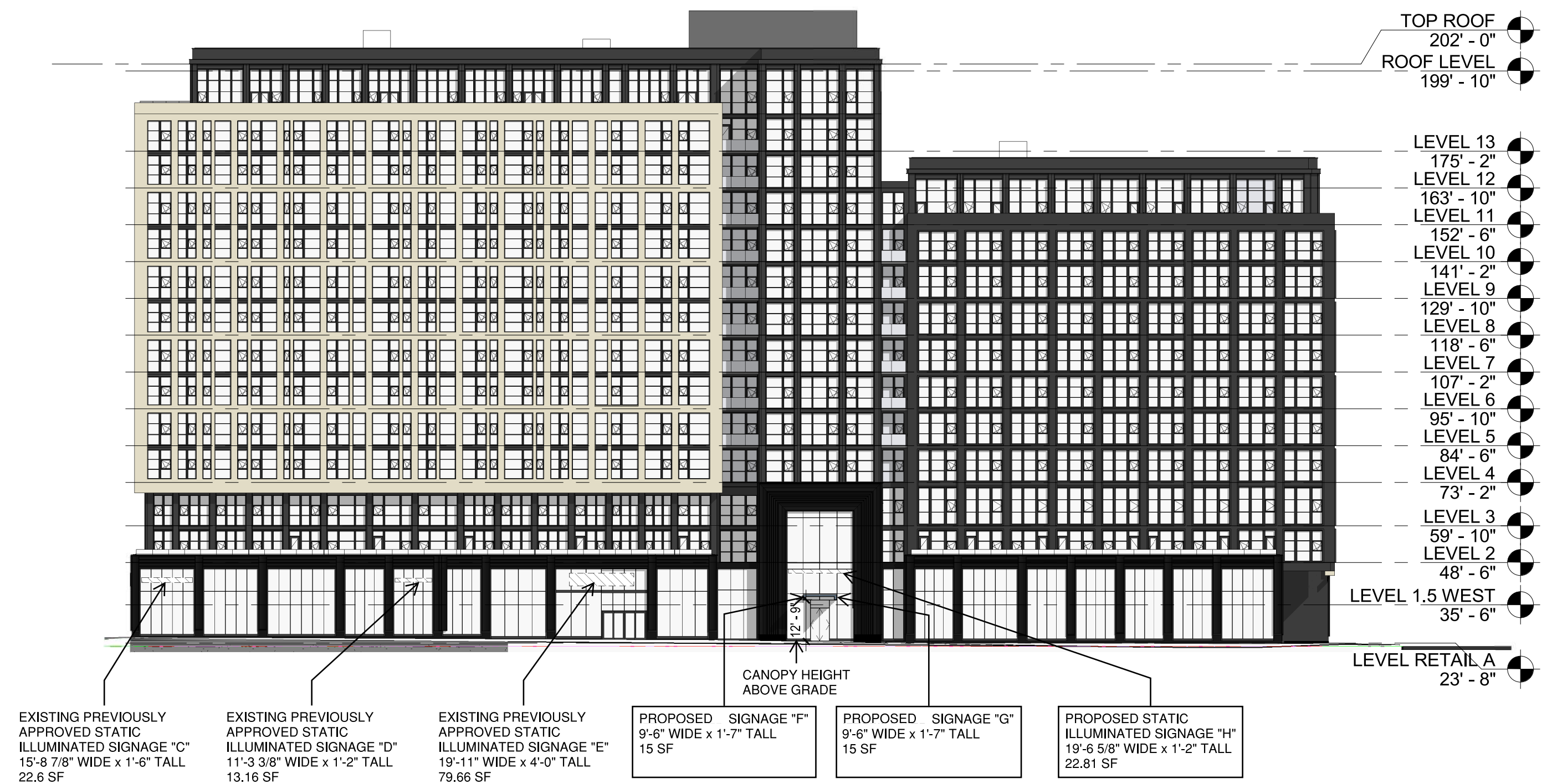
1 SITE PLAN
Z.01 1/32" = 1'-0"


 Jack Boerman
 RA405889
 License Number

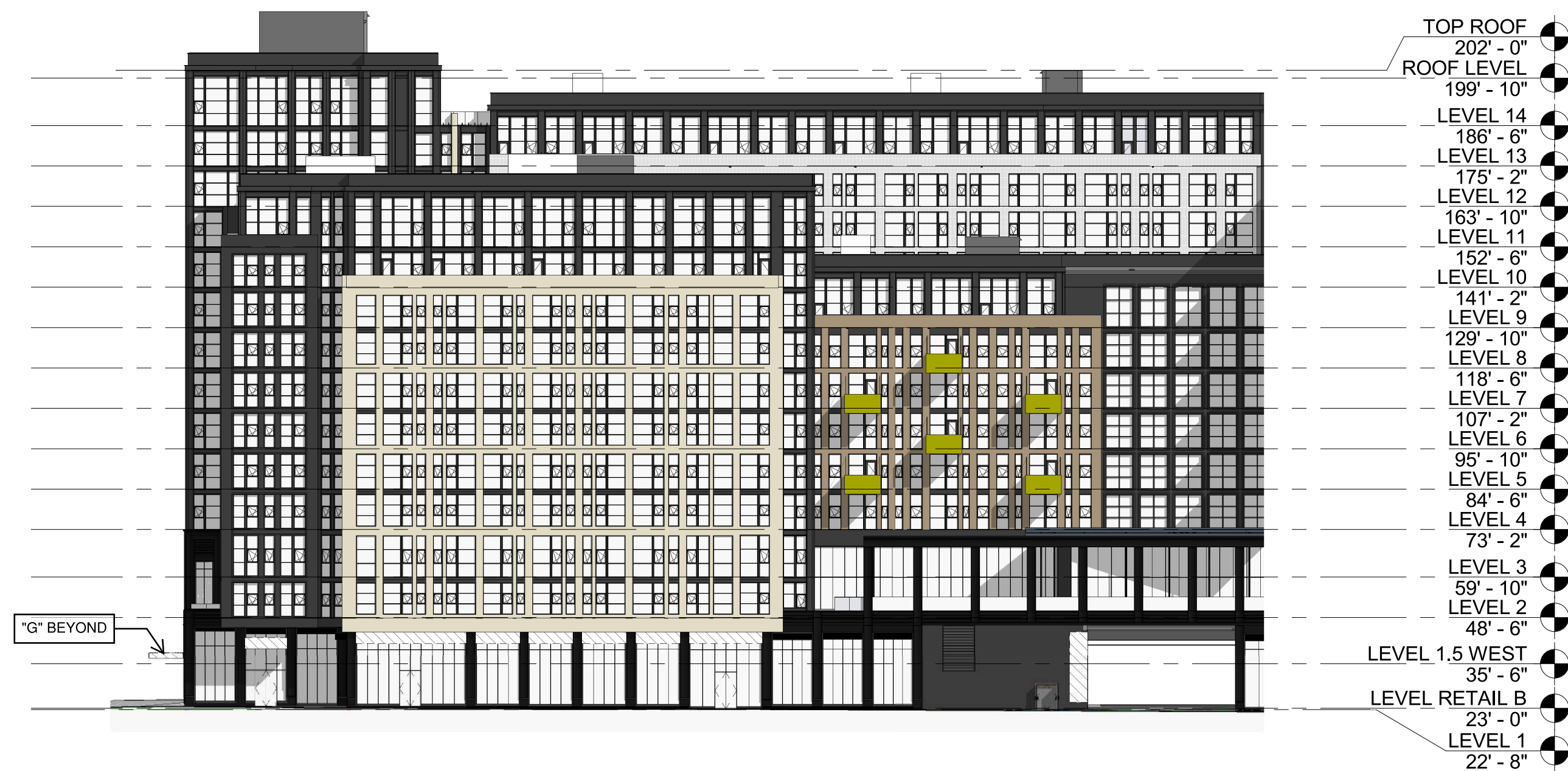
05/02/2024
 Date



1 NORTH - CARPENTER ST. ELEVATION
Z.02 1/32" = 1'-0"



2 WEST - BROAD ST ELEVATION
Z.02 1/32" = 1'-0"



3 SOUTH - WASHINGTON AVE. ELEVATION
Z.02 1/32" = 1'-0"



PROPOSED SIGNAGE

WEST ENTRANCE CANOPY RENDERINGS



Jack Boerman
RA405889 License Number
05/02/2024 Date