



Golden Fox Sign LLC  
3907 G Street  
Philadelphia, PA 19124  
(610) 483-9041  
(856) 725-7147  
goldenfoxsign@gmail.com

Date: 2/2/2024

Client: Ali Hussain

Address: 1210 S Longacre Blvd

City, State: Yeadon, PA

Contact: Ali Hussain

Phone: 484-844-4444

E-mail: Azalcity@yahoo.com

Job Site: The Good Vibes

Address: 650 South St

City, State: Philadelphia, PA

Account Exec: Mahir Atak

Designer: Eyad Saleh

Approved By: Abe Ibrahim

Client:

**X**

LICENSE NO. 802014

FULLY LICENSED & INSURED

## Sign Rendering for Good Vibe Vault

(Night Time Look)



NOTES

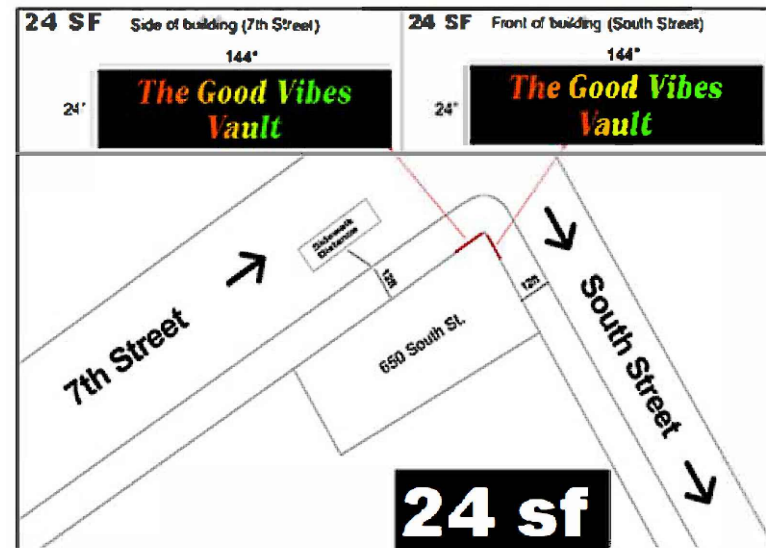
SIGN RENDERING



**DAYTIME RENDER**

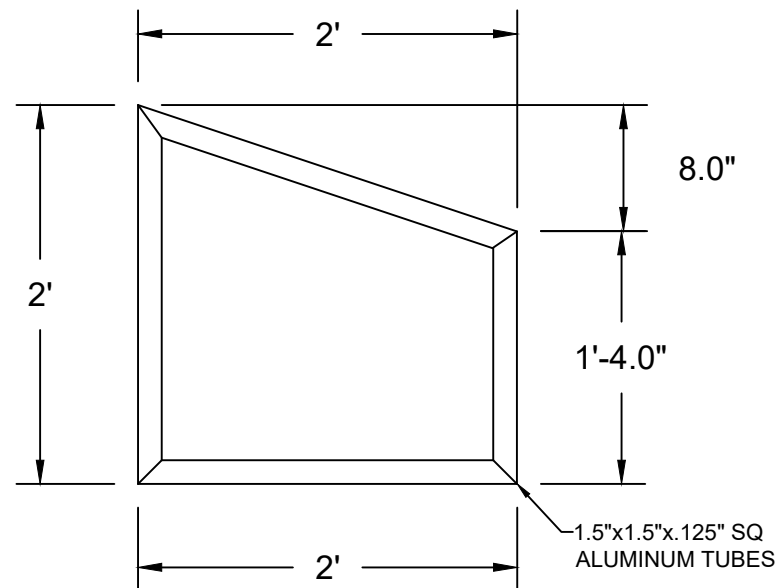


**NIGHT TIME RENDER**

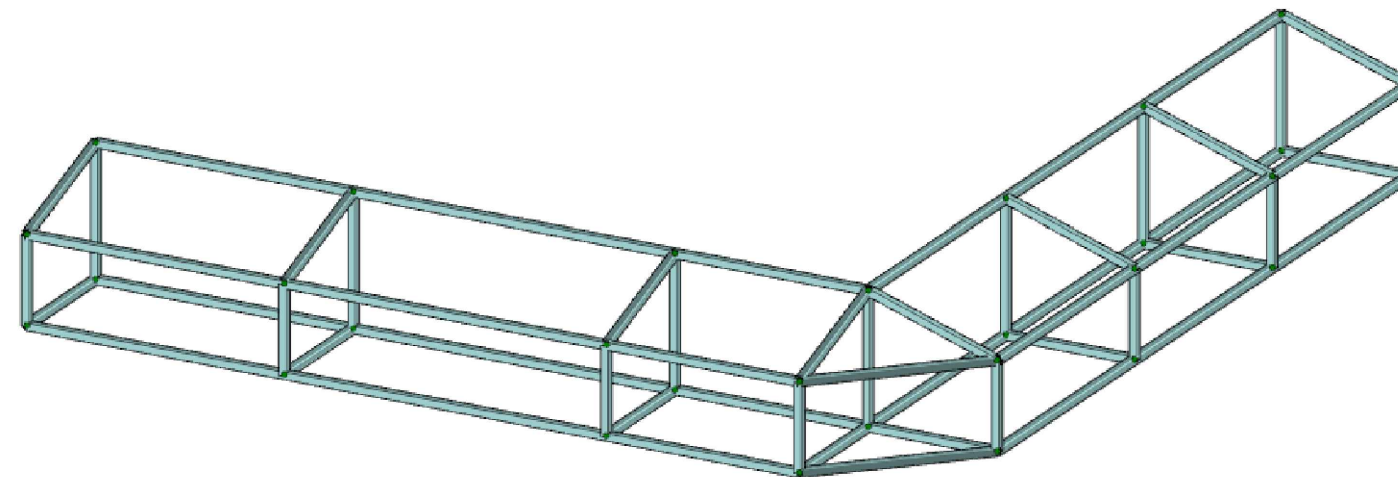


**PLAN VIEW**

**ELECTRICAL/LIGHTING  
DETAIL**



**CROSS SECTION**



**ISOMETRIC VIEW**

- NOTES:**  
1. ALUMINUM MEMBERS TO BE 6061-T6

PREPARED FOR



Issue No.	Issue Date	Issuance Description
1	2/19/2024	FOR PERMIT AND CONSTRUCTION

PROJECT/CLIENT  
THE GOOD VIBES VAULT  
1210 S LONGACRE BLVD  
YEADON, PA

TKCG PROJECT NUMBER(S)  
GFS24-002

SCALE  
NOT TO SCALE

SHEET NAME  
SIGN MOUNTING DETAILS

DRAWING NUMBER