

BROWN EXPEDITING SERVICES

February 5, 2024

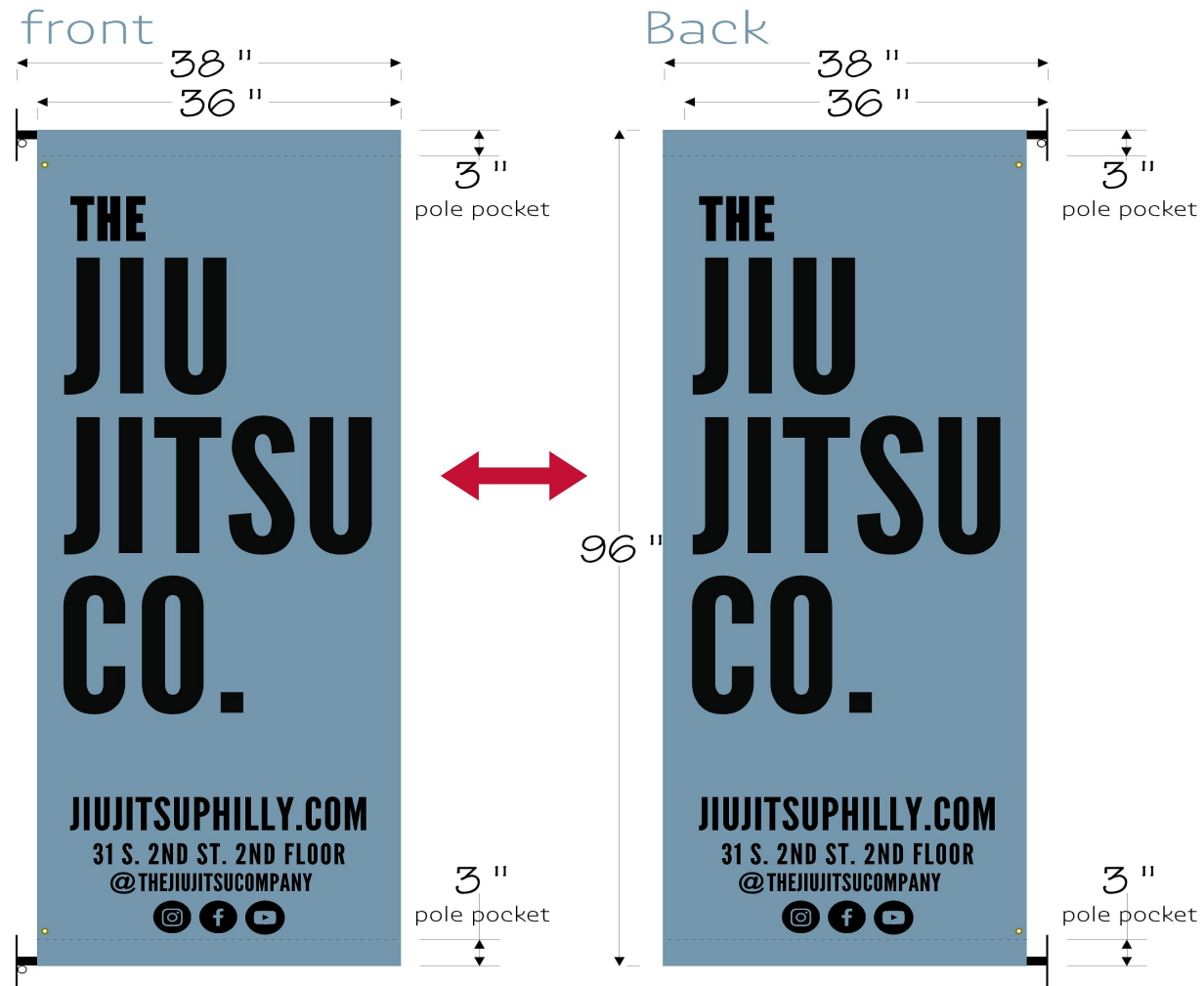
Philadelphia Art Commission
1515 Arch Street, 13th Floor
Philadelphia, PA 19102

To Whom it May Concern:

Please review this package for a new D/S projecting sign at 33 S. 2nd Street. Jiu Jitsu is on the second floor and is seeking signage to let the public know where they are. The sign will be non-illuminated, 36" x 96". The projection will be 38"

If you need any further information, please contact me.

Thank you,
Linda



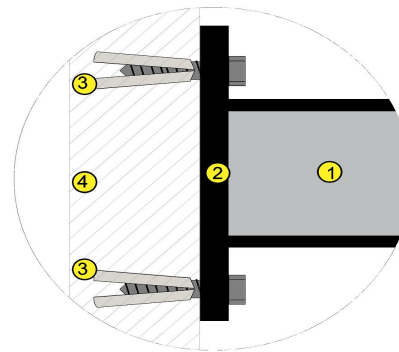
(1) Double Sided Flag Mounted to Two Brackets
36"w x 96"h with 3" pole pocket on top and bottom
Material: Fabric Polyoxford

Pantone Color (For Blue Background): pantone 5425c

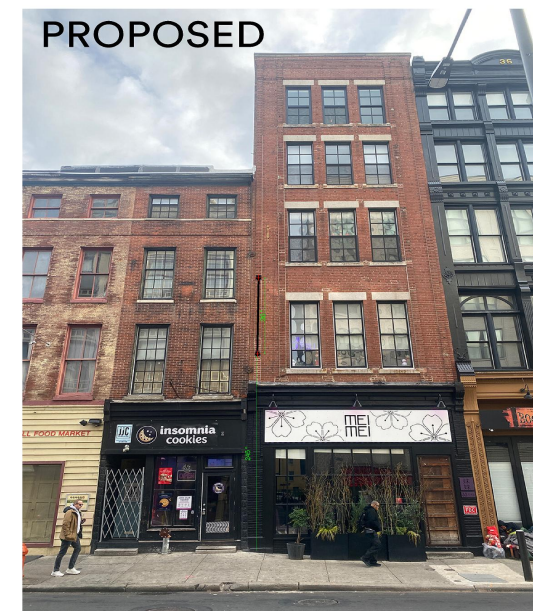
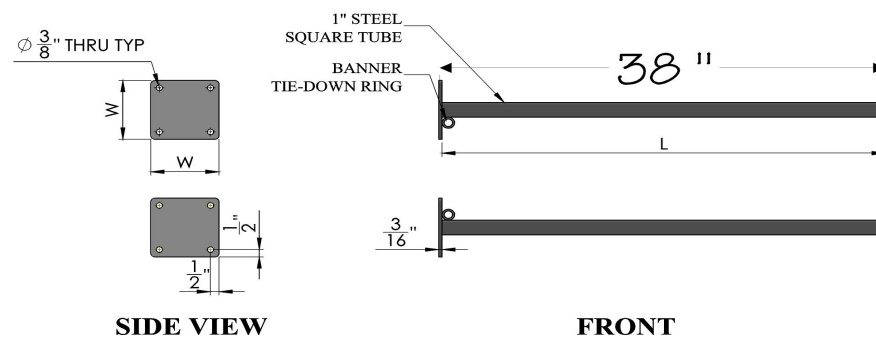
Text Color: Black

(2) Grommets to attach to poles

(1) 38" long pair of straight Arm wall mounted brackets
black powder coat to mount to brick wall



1. STEEL SQUARE TUBE
2. 3/16" THICK, 6"X6" STEEL MOUNTING PLATE
3. 3/8" X 5" LAG AND SHIELD FASTENERS
4. INSTALLED ONTO BLOCK WALL



33 S 2nd Street

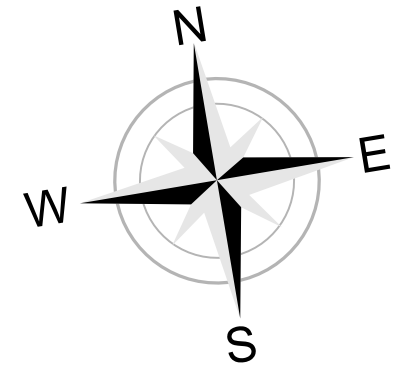


Looking East on S. 2nd St.



Looking West on S. 2nd St.





scale 1" = 10'

