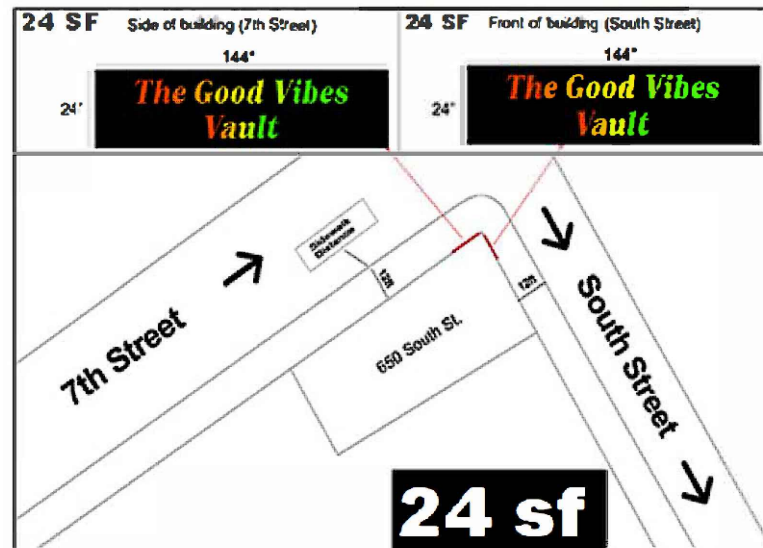




DAYTIME RENDER

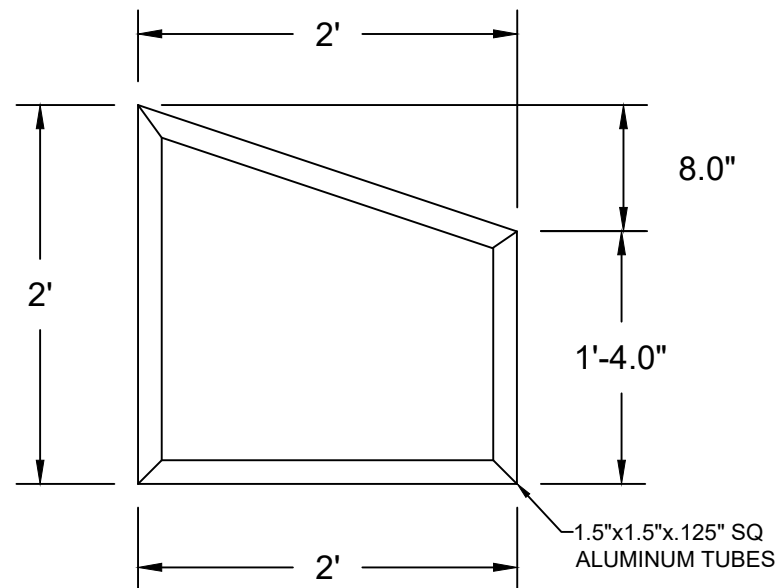


NIGHT TIME RENDER

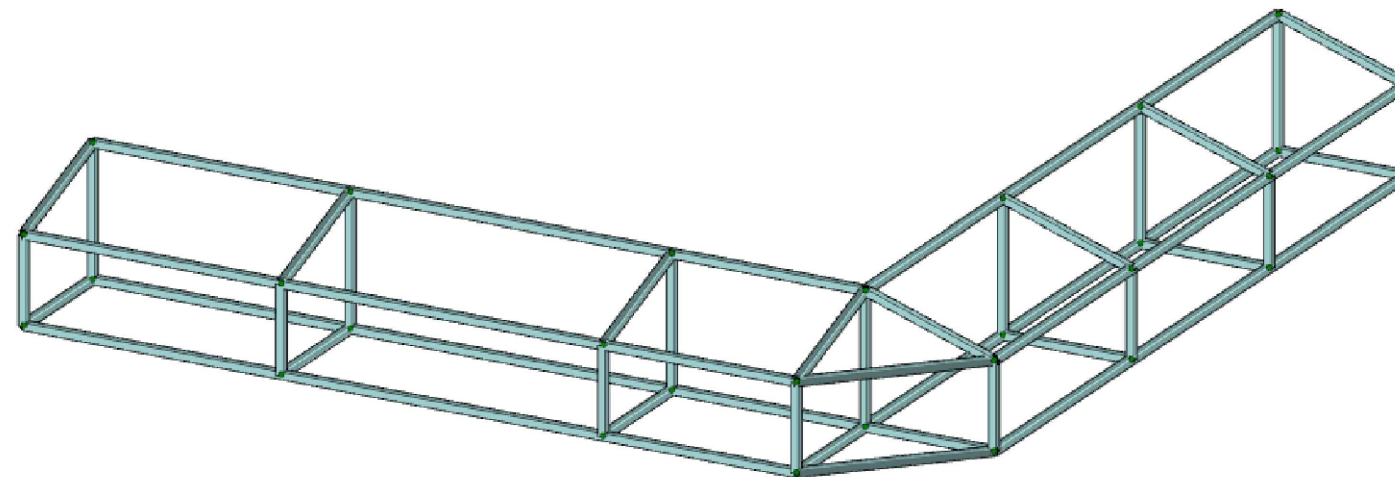


PLAN VIEW

**ELECTRICAL/LIGHTING
DETAIL**



CROSS SECTION



ISOMETRIC VIEW

- NOTES:**
1. ALUMINUM MEMBERS TO BE 6061-T6

PREPARED FOR



Issue No.	Issue Date	Issuance Description
1	2/19/2024	FOR PERMIT AND CONSTRUCTION

PROJECT/CLIENT
THE GOOD VIBES VAULT
1210 S LONGACRE BLVD
YEADON, PA

TKCG PROJECT NUMBER(S)
GFS24-002

SCALE
NOT TO SCALE

SHEET NAME
SIGN MOUNTING DETAILS

DRAWING NUMBER