

FLIGHT CLUB™

NOTE: COST FOR PROVIDING NECESSARY ELECTRICAL WIRING TO SIGN AREA IS NOT INCLUDED IN SIGN PROPOSAL.

 YESCO <small>© YESCO LLC This drawing was created to assist you in visualizing our proposal. The original ideas herein are the property of YESCO LLC. All rights reserved. This drawing can only be obtained through a written agreement with YESCO LLC. See your account representative or contact your nearest YESCO LLC office.</small>		YESCO LLC LAS VEGAS DIVISION 5119 So. Cameron St. Las Vegas, NV 89118 PHONE: (702) 876-8080 WWW.YESCO.COM NV CONTRACTOR LICENSE: #0074289 & #0075739
Client Name & Address: FIGHTCLUB LAS VEGAS LLC 1411 WALNUT ST. PHILADELPHIA, PA		Project Name: STATE OF PLAY HOSPITALITY FIGHTCLUB LAS VEGAS WALL SIGNS
Account Executive: RICHARD PURVIS		Designer: JAMIE PETERSON
Design Approvals Checked by:		Description: 0
Creative Director:		Classification:
Estimating:		Reference Design:
Account Executive:		O.E.M Serial:
Client:		Sheet: COVER
Rev. / Date / Designer 0 05/11/2023 JP 1 05/23/2023 JP 2 05/26/2023 JP		OPY #: 54437



PROPOSED

NOTE: COST FOR PROVIDING NECESSARY ELECTRICAL WIRING TO SIGN AREA IS NOT INCLUDED IN SIGN PROPOSAL.

YESCO
 YESCO LLC
 LAS VEGAS DIVISION
 5119 So. Cameron St.
 Las Vegas, NV, 89118
 PHONE: (702) 876-8080
 WWW.YESCO.COM
 NV - CONTRACTOR LICENSE: #0074289, #0074290 & #0074739

Client Name & Address:
FIGHTCLUB LAS VEGAS LLC
 1411 WALNUT ST.
 PHILADELPHIA, PA

Project Name:
STATE OF PLAY HOSPITALITY FIGHTCLUB LAS VEGAS WALL SIGNS

Account Executive:
RICHARD PURVIS

Designer:
JAMIE PETERSON

Design Approvals
 Checked by:

Creative Director:

Estimating:

Account Executive:

Client:

Rev. / Date / Designer
 05/11/2023 JP
 05/23/2023 JP
 05/26/2023 JP

Description:
 0

Classification:

Reference Design:

O.E.M Serial:

Sheet: **2.0**



PROPOSED

NOTE: COST FOR PROVIDING NECESSARY ELECTRICAL WIRING TO SIGN AREA IS NOT INCLUDED IN SIGN PROPOSAL.

YESCO LLC
 LAS VEGAS DIVISION
 5119 So. Cameron St.
 Las Vegas, NV. 89118
 PHONE: (702) 876-8080
 WWW.YESCO.COM
 NV - CONTRACTOR LICENSE:
 #0074289, #0075739

YESCO

© YESCO LLC This drawing was created to assist you in visualizing our proposal. The original ideas herein are the property of YESCO LLC. No other drawings or drawings can only be obtained through a written agreement with YESCO LLC. See your account representative or contact your nearest YESCO LLC office.

Client Name & Address:
FIGHTCLUB LAS VEGAS LLC
 1411 WALNUT ST.
 PHILADELPHIA, PA

Project Name:
STATE OF PLAY HOSPITALITY FIGHTCLUB LAS VEGAS WALL SIGNS

Account Executive:
RICHARD PURVIS

Designer:
JAMIE PETERSON

Design Approvals
 Checked by:

Creative Director:

Estimating:

Account Executive:

Client:

Rev. / Date / Designer

1	05/11/2023	JP
2	05/23/2023	JP
3	05/26/2023	JP

Description:
 0

Classification:

Reference Design:

O.E.M Serial:

Sheet: **2.1**

ELEV. 21'-4 1/2" (V.I.F.)

VN-1

PL-1

AWN-1

T/ STAIRS
ELEV. 0'-10 1/2" (V.I.F.)
T/ SLAB
ELEV. 0'-0"



ELEVATION
SCALE: 1/4" = 1'-0"

YESCO
YESCO LLC
LAS VEGAS DIVISION
5119 So. Cameron St.
Las Vegas, NV, 89118
PHONE: (702) 876-8080
WWW.YESCO.COM
NV CONTRACTOR LICENSE:
#0074289, #0074290 & #0075739

Client Name & Address:
FIGHTCLUB LAS VEGAS LLC
1411 WALNUT ST.
PHILADELPHIA, PA

Project Name:
STATE OF PLAY
HOSPITALITY FIGHTCLUB
LAS VEGAS WALL SIGNS

Account Executive:
RICHARD PURVIS

Designer:
JAMIE PETERSON

Design Approvals
Checked by:

Creative Director:

Estimating:

Account Executive:

Client:

Rev. / Date / Designer
 1 05/11/2023 JP
 2 05/23/2023 JP
 3 05/26/2023 JP

Description:
0

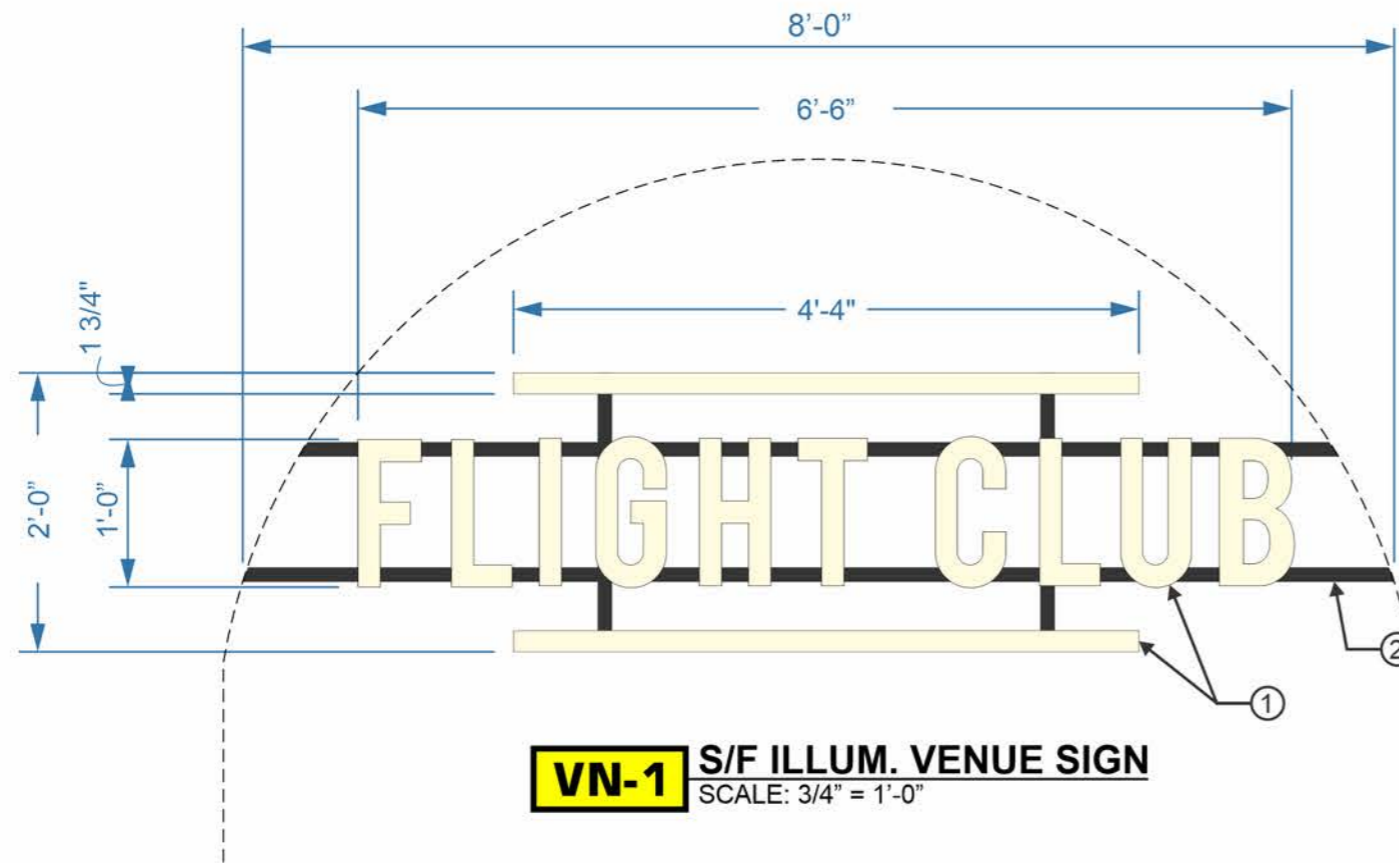
Classification:

Reference Design:

O.E.M Serial:

Sheet:
2.2

NOTE: COST FOR PROVIDING NECESSARY ELECTRICAL WIRING TO SIGN AREA IS NOT INCLUDED IN SIGN PROPOSAL.

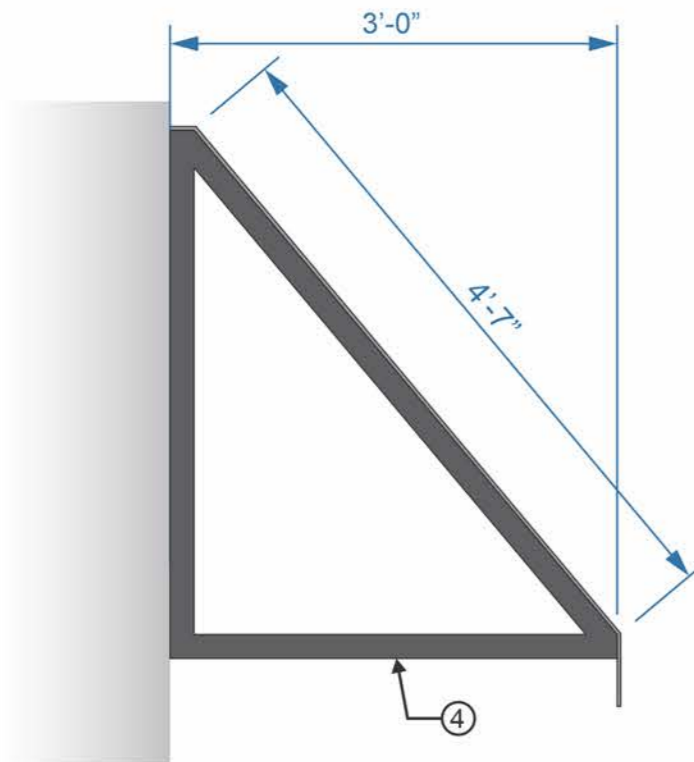


VN-1 S/F ILLUM. VENUE SIGN
SCALE: 3/4" = 1'-0"

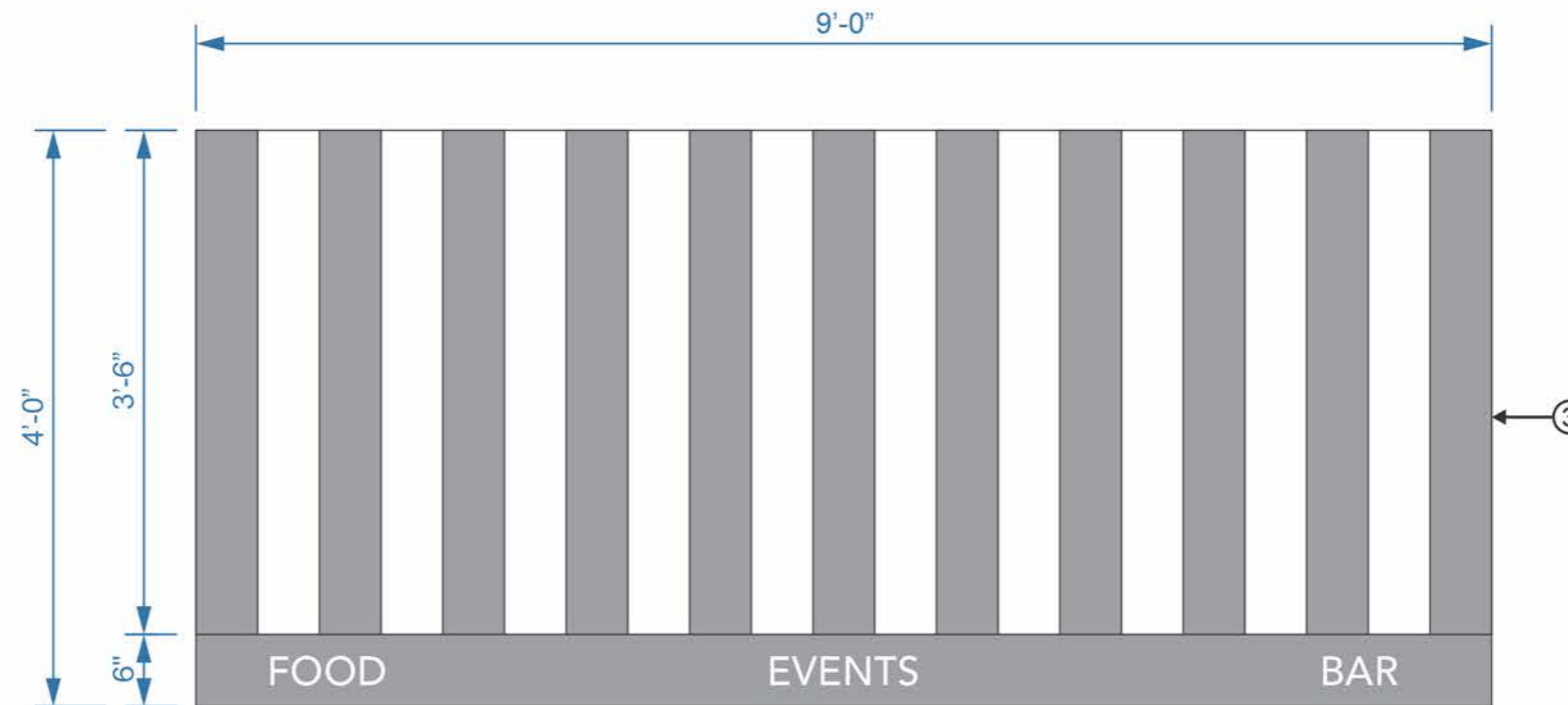
NOTES

- ① ILLUMINATED CHANNEL LETTERS. REVERSE PUSH THRU WHITE ACRYLIC FACES. RETURNS PAINTED TO MATCH PANTONE BLACK 7. WARM WHITE LED ILLUMINATION.
- ② TUBE STEEL SUPPORTS, AS REQ'D. PAINTED TO MATCH PANTONE BLACK 7.
- ③ NON-ILLUMINATED FABRIC AWNING W/ GRAPHICS AS SHOWN.
- ④ TUBE STEEL SUPPORTS. PAINTED TO MATCH PANTONE BLACK 7. SIDES OF AWNING TO BE OPEN.

FIELD VERIFY
ALL DIMENSIONS
PRIOR TO
FABRICATION



SIDE ELEVATION



AWN-1 NON-ILLUMINATED AWNING
SCALE: 3/4" = 1'-0"

YESCO LLC
LAS VEGAS DIVISION
5119 So. Cameron St.
Las Vegas, NV. 89118
PHONE: (702) 876-8080
WWW.YESCO.COM

YESCO
© YESCO LLC This drawing was created to assist you in visualizing our products. The original ideas herein are the property of YESCO LLC. All rights reserved. No part of this drawing can only be obtained through a written agreement with YESCO LLC. See your account representative or contact your nearest YESCO LLC office.

Client Name & Address:
FIGHTCLUB LAS VEGAS LLC
1411 WALNUT ST.
PHILADELPHIA, PA

OPY #:
54437

Project Name:
STATE OF PLAY
HOSPITALITY FIGHTCLUB
LAS VEGAS WALL SIGNS

Account Executive:
RICHARD PURVIS

Designer:
JAMIE PETERSON

Design Approvals
Checked by:

Creative Director:

Estimating:

Account Executive:

Client:

Rev. / Date / Designer

05/11/2023 JP
05/23/2023 JP
05/26/2023 JP

Description:

Classification:

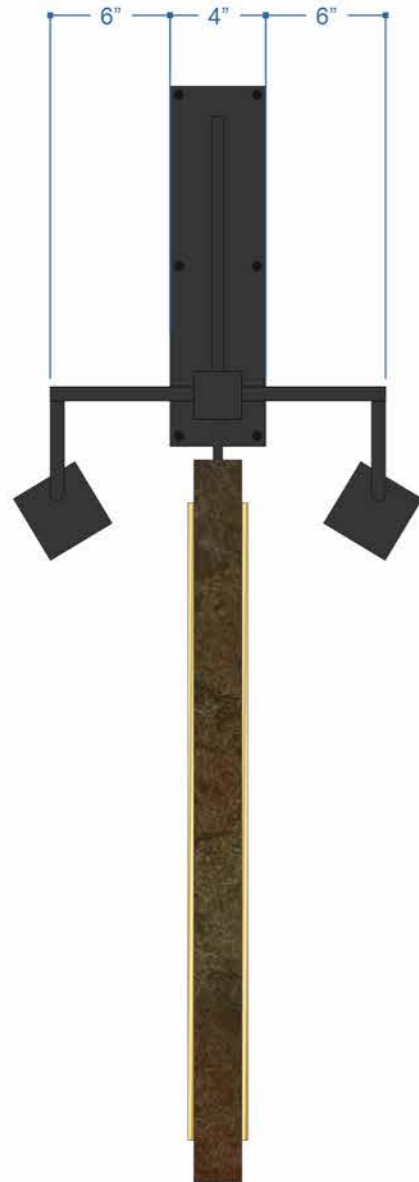
Reference Design:

O.E.M Serial:

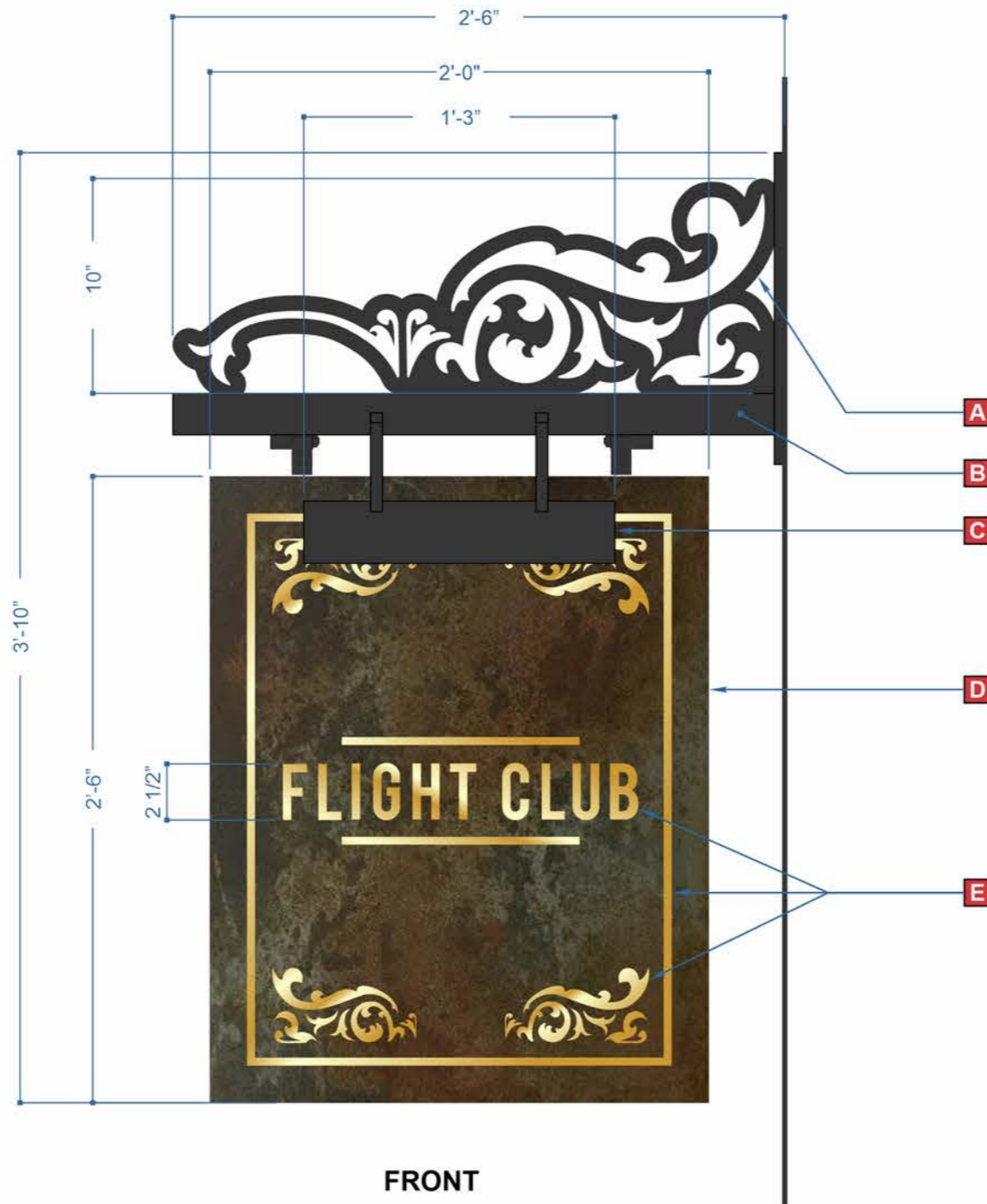
Sheet:

3.0

NOTE: COST FOR PROVIDING NECESSARY ELECTRICAL WIRING TO SIGN AREA IS NOT INCLUDED IN SIGN PROPOSAL.



PROFILE



FRONT

PAINTED TO MATCH
PANTONE BLACK 7

FAUX PAINT
TO MATCH BRONZE C34
METALLIC POWDER
COATED FINISH.
SAMPLE REQUIRED
FOR CUSTOMER APPROVAL.

SATIN GOLD
VINYL 3M 131

SCOPE OF WORK

MANUFACTURE AND INSTALL (2) NEW ILLUM. BLADE SIGN

A	SCROLL	MATERIAL	1/2" ALUMINUM ROUT OUT SCROLL
		FINISH	PAINTED TO MATCH PANTONE BLACK 7
		MOUNTING	BLADE MOUNT TO BUILDING
B	SUPPORT	SPEC	2"x2" ALUMINUM SUPPORT ARM
		FINISH	PAINTED TO MATCH PANTONE BLACK 7
C	LIGHTING	SPEC	LED WASH LIGHTING
		FINISH	PAINTED TO MATCH PANTONE BLACK 7
D	CABINET	MATERIAL	ALUMINUM
		FINISH	PAINTED TO MATCH PATINA METAL
E	COPY AND SCROLLS	MATERIAL	1/4" ACRYLIC FLAT CUT OUT
		OVERLAY	METALLIC GOLD VINYL

FIELD VERIFY
ALL DIMENSIONS
PRIOR TO
FABRICATION

BD-1 D/F ILLUM. BLADE SIGN
SCALE: 1 1/2" = 1'-0" QTY: ONE (1) REQ'D

NOTE: COST FOR PROVIDING NECESSARY ELECTRICAL WIRING TO SIGN AREA IS NOT INCLUDED IN SIGN PROPOSAL.

Client Name & Address:
FIGHTCLUB LAS VEGAS LLC
 1411 WALNUT ST.
 PHILADELPHIA, PA

Project Name:
 STATE OF PLAY
 HOSPITALITY FIGHTCLUB
 LAS VEGAS WALL SIGNS

Account Executive:
 RICHARD PURVIS

Designer:
 JAMIE PETERSON

Design Approvals
 Checked by:

Creative Director:

Estimating:

Account Executive:

Client:

Rev. / Date / Designer
 05/11/2023 JP
 05/23/2023 JP
 05/26/2023 JP

Description:
 0

Classification:

Reference Design:

O.E.M Serial:

Sheet:
4.0

YESCO LLC
 LAS VEGAS DIVISION
 5119 So. Cameron St.
 Las Vegas, NV, 89118
 PHONE: (702) 876-8080
 WWW.YESCO.COM
 NV CONTRACTOR LICENSE:
 #0074288, #0074290 & #0075739