



EZ PERMIT STANDARDS
MASONRY FACADE

For Facade Replacement on One-Family
Dwellings, 3-Story Maximum Height
Revised 7/22 (IRC-2018)

EZ Permit Standards: Masonry Facade (One Family Dwellings)

Obtain permits for replacing or altering a non-load bearing masonry wall without submitting plans by meeting the Conditions and Construction Requirements below. A completed **Building Permit Application** must be submitted with this completed **EZ Masonry Facade Permit Standards** form. Properties listed on the Philadelphia Register of Historic Places are not eligible for the EZ permit process.

Deviations from this EZ Permit Standard will require submission of plans to the Department with your permit application.

Conditions

- Reconstruction is limited to existing masonry, non-load bearing walls, which shall be reconstructed as 8-inch CMU block with stucco or as multi-wythe, non-composite walls.
- The following types of work are not eligible for an EZ Masonry Facade Permit and require the submission of plans:
 1. Replacement (or alteration) of facades on buildings more than 3 stories or 35 feet in height (measured from the foundation)
 2. Replacement (or alteration) of facades with new facades that extend beyond the existing building foundation wall
 3. Where new facade will be anchored to a non-masonry wall
 4. Relocation of exterior egress door to an alternate location
 5. Installation of bay windows
- Work performed shall be in accordance with the 2018 International Building Code (IBC), the 2015 City of Philadelphia Residential Code (IRC), and the American Concrete Institute ACI 530-13.
- This standard allows for in-kind replacement of the exterior door, landing, and stairs where encroachment into the existing public right-of-way is a concern.

Additional Permit / Approvals Required

The following permits/approvals must be in place BEFORE the commencement of any work:

- Separate permit for sidewalk closure or covered walkway where work abuts a public right-of-way.

Construction Requirements

Removal of Existing Facade

- In accordance with Section 3306 of the IBC, where the public right-of-way is adjacent to the building facade and the construction height exceeds 8 feet, a covered walkway or sidewalk closure shall be required.
- The existing facade (and related cornice and corbel, where applicable) shall be vertically sawcut at all locations where it abuts the face(s) of adjacent property facade(s).
- All construction work shall be performed in accordance with Chapter 33 of the IBC and shall include protection of adjoining public and private property. Where the work requires access to the adjoining property, written notification shall be provided to the adjoining property owner, and the contractor shall obtain any required license to enter adjoining property from the owner of such property prior to the start of the work.

Construction of New Facade

- Corrosion-resistant horizontal reinforcement shall be provided between multiple wythe walls to anchor the new masonry facade to the inside wall. Reinforcement shall be installed along the entire length of the wall courses at fixed vertical intervals, to ensure that the vertical spacing of the reinforcement does not exceed 24 inches. (See Details)
- The internal wythe wall shall be bonded and interlocked to each of the adjacent (perpendicular) walls at maximum vertical intervals of 4 feet. (See Details)
- If the cornice and/or corbel will not be replaced, the edge faces of the cornices and/or corbels on the adjacent property(s) shall be restored to match the facings of the existing cornices and/or corbels, and to ensure a watertight and weatherproof seal.



CITY OF PHILADELPHIA
DEPARTMENT OF LICENSES & INSPECTIONS
Construction Services Division
Municipal Services Building - Concourse Level
1401 John F. Kennedy Boulevard
Philadelphia, Pennsylvania 19102

EZ PERMIT STANDARDS
MASONRY FACADE

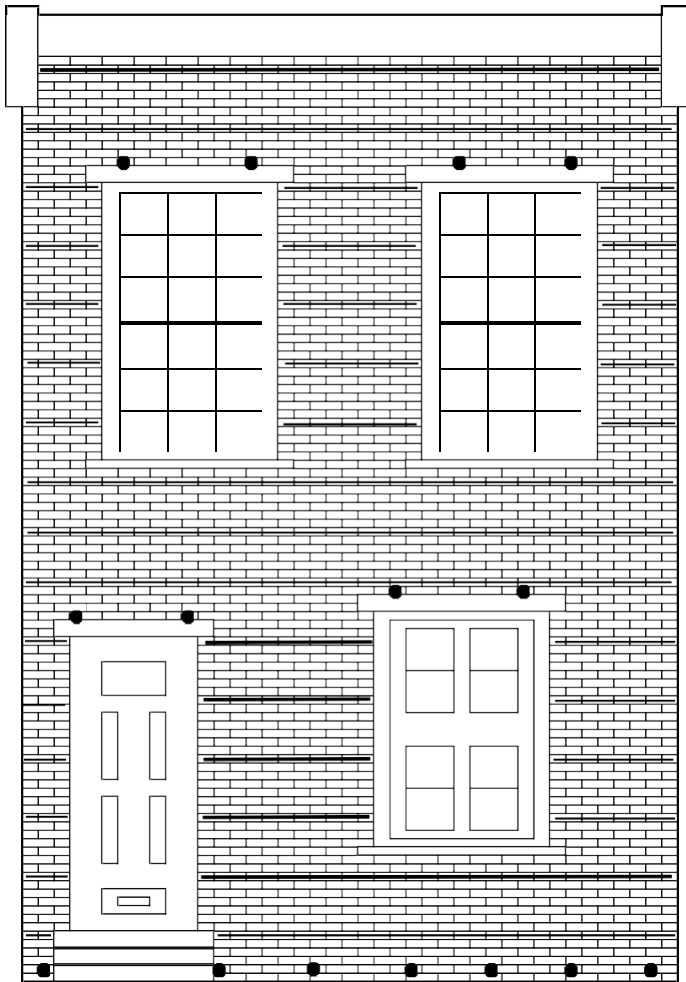
For Facade Replacement on One-Family
Dwellings, 3-Story Maximum Height
Revised 7/22 (IRC-2018)

- Flashing shall be located below the first course of masonry above finished ground level above foundation wall; at all window and door openings; at wall and roof intersections; under and at the ends of masonry, wood or metal copings and sill; where exterior porches, decks or stairs attach to a wall; and, above all projecting wood trim.
- Weepholes (minimum 3/16 inch diam.) shall be provided in the outside wythe of the masonry wall at a maximum spacing of 33 inches on center, in veneer wythe at bottom of wall, and above wall openings (minimum of 2 weep holes above openings), and shall be located above the flashing. (See Details)
- Exterior egress door shall provide a minimum clear width and a minimum clear height that are no less complying with the provisions of the IBC than the existing door was prior to the construction. Door width shall be consistent with the dimensions of the existing landing in that the width of the landing shall not be less than the door served.
- Masonry over openings shall be supported by steel lintels (minimum 4-inch bearing per side), reinforced concrete or masonry lintels, or masonry arches, designed to support load imposed.
- A water-resistive barrier, consisting of one layer of No. 15 asphalt, free from holes and breaks, shall be installed between masonry wall and interior finished wall.
- An interior finished wall with framing and insulation (minimum R-13) shall be included.
- When the construction work requires the replacement of the exterior stairs and landing, the stairs and landing shall only be replaced "in-kind".
- Replacement windows and doors shall have maximum U-factors of 0.35.
- Handrails shall be provided on at least one side of each continuous flight of exterior stairways with four or more risers.



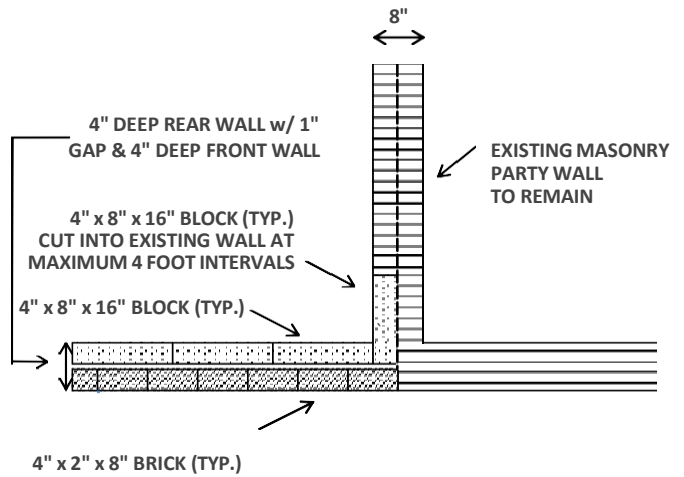
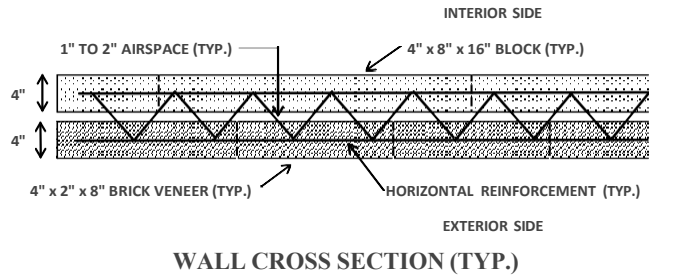
EZ PERMIT STANDARDS
MASONRY FACADE

For Facade Replacement on One-Family Dwellings, 3-Story Maximum Height
 Revised 7/22 (IRC-2018)

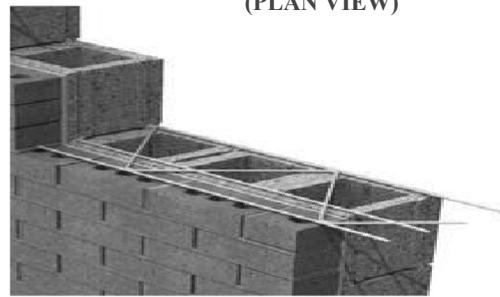


● APPROXIMATE LOCATION OF JOINT REINFORCEMENT (24" MAX. VERTICAL SPACING)
 ○ APPROXIMATE LOCATION OF REQUIRED WEEP HOLES

**DETAIL OF WALL REINFORCEMENT & WEEP HOLES
 (FOR ILLUSTRATIVE PURPOSES ONLY)**



**DETAIL OF NEW TO EXISTING MASONRY CONNECTION
 (PLAN VIEW)**



TYPICAL MULTI-WYTHE WALL WITH HORIZONTAL REINFORCEMENT (shown w/ 4" Brick & 8" Block, for illustrative purposes only)

DETAILS