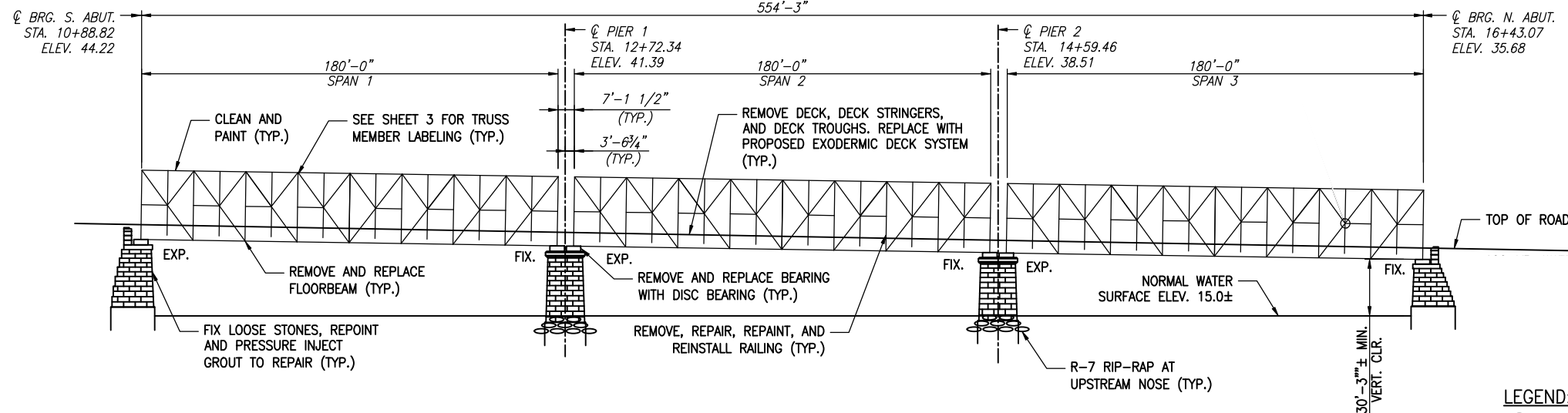


PLAN
SCALE: 1/32" = 1'-0"



ELEVATION
SCALE: 1/32" = 1'-0"
(LOOKING UPSTREAM)

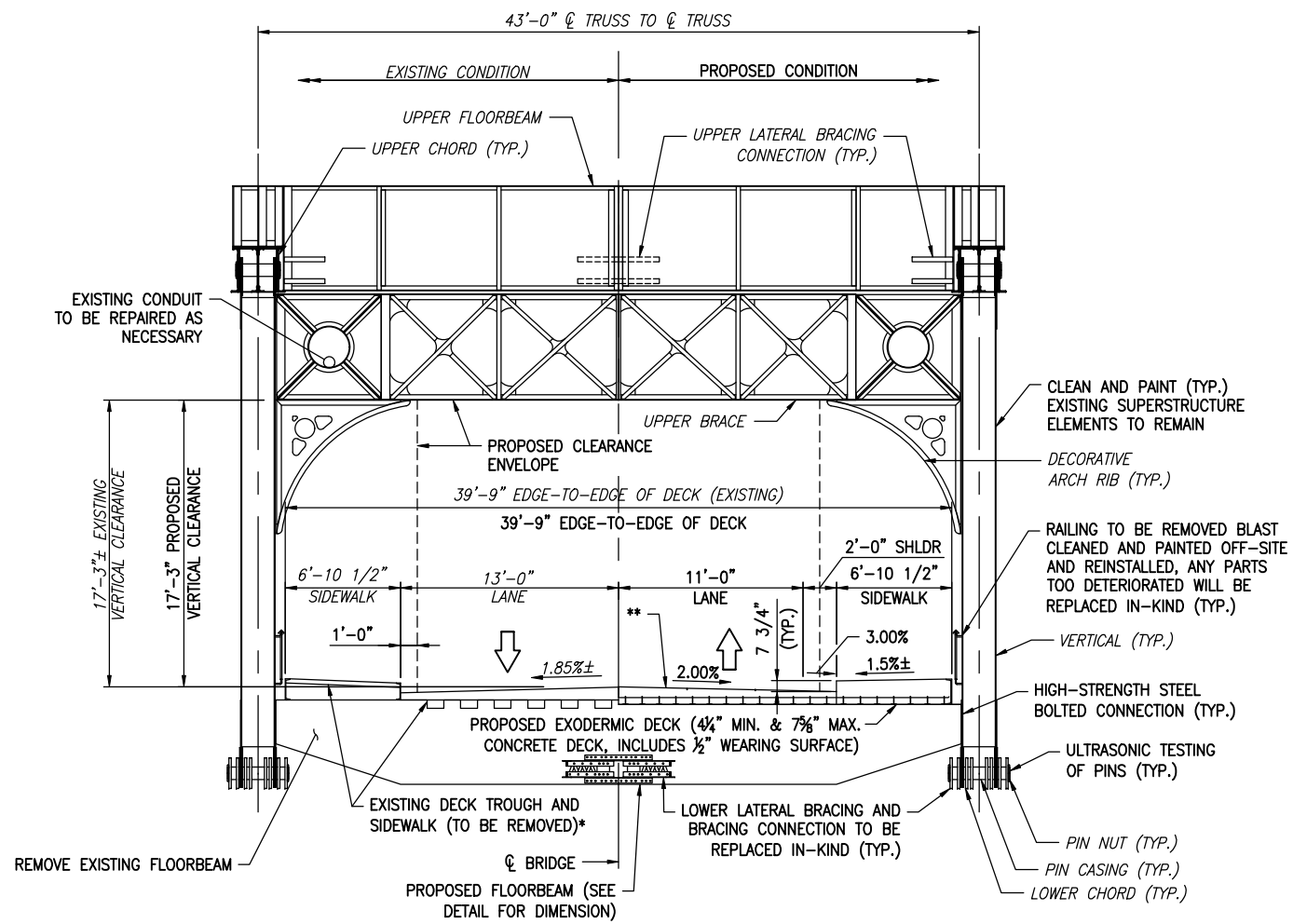
LEGEND:

PANEL POINT NUMBER

GENERAL NOTES

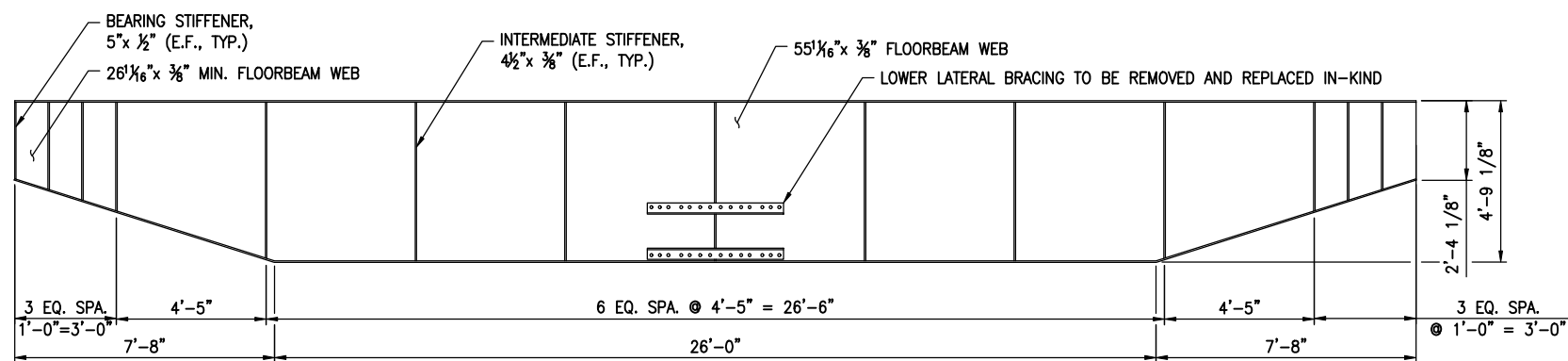
- FOR GENERAL NOTES, SEE SHEET 2.
- FOR TYPICAL SECTION, SEE SHEET 3.

CITY OF PHILADELPHIA			
DEPARTMENT OF STREETS			
FALLS BRIDGE REHABILITATION STEEL TRUSS OVER SCHUYLKILL RIVER			
GENERAL PLAN AND ELEVATION			
PLAN PREPARED FOR CITY OF PHILADELPHIA DEPARTMENT OF STREETS SURVEYS, DESIGN, & CONSTRUCTION DIVISION			
CORRECT		ENGINEER OF DESIGN	
SCALE: AS NOTED			
DRAWN	PJM	DATE	5/18/20
CHECKED	BKH	DATE	5/18/20
SHEET NO.	ECMS 108099		
1 OF 11	L-248		

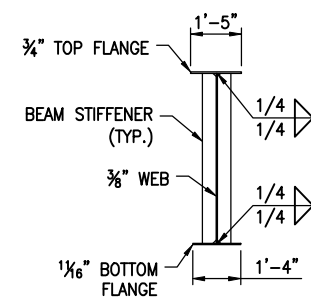


TYPICAL SECTION
(LOOKING STATIONS AHEAD)
SCALE: 3/8" = 1'-0"

** GRIND DECK 1/4" AND APPLY 1/4" EPOXY BASED WEARING SURFACE



PROPOSED FLOORBEAM ELEVATION
SCALE: 3/8" = 1'-0"



SECTION
SCALE: 3/8" = 1'-0"

CITY OF PHILADELPHIA DEPARTMENT OF STREETS		
FALLS BRIDGE REHABILITATION STEEL TRUSS OVER SCHUYLKILL RIVER TYPICAL SECTION & BEAM ELEVATION		
<small>PLAN PREPARED FOR CITY OF PHILADELPHIA DEPARTMENT OF STREETS SURVEYS, DESIGN, & CONSTRUCTION DIVISION</small>		
CORRECT _____ ENGINEER OF DESIGN	SCALE: AS NOTED	
_____ CHECKED	PJM BKH	DATE 5/18/20 DATE 5/18/20
_____ SHEET NO. 3 OF 11	ECMS 108099 L-248	